



**Prevista Dry WC element  
with shower WC connection  
820 mm**

- equipped with Prevista Dry Fixing set model 8570.36, 8570.66
- in addition optional available Prevista Dry Support set model 8570.37
- compatible with all WC flush plates for Prevista, integration in Prevista Dry Plus, dual flush technology, flush actuation from front or top, barrier-free

**Components**

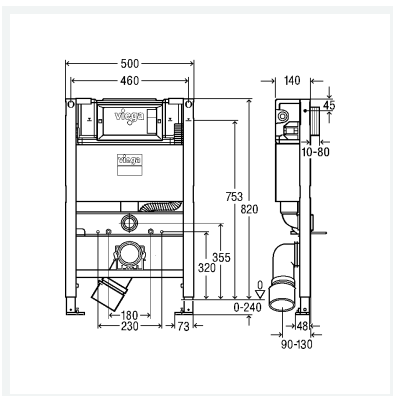
filling valve type AG (tested to BS 1212-4:2016 in accordance with WRAS approval number 2103303), powder-coated frame (40x40), concealed cistern 3L, condensate insulation for concealed cistern halogen-free according to DGNB ENV1.2 Criterion QS4 compliant, conduit pipe for shower WC connection, WC connection fitting, fixing material, lockable foot for adjusting the construction height, water connection R $\frac{1}{2}$ , WC connection elbow DN90 (depth-adjustable) made of PP, eccentric adapter DN90/100 made of PP

**Note**

Flush plates and accessories: WC and urinal flush plates for Prevista product group.

**Model 8533.38**

**Article 804 213**



## Properties

Partial flush volume factory setting	partial flush volume factory setting	approx. 3 l
Partial flush volume setting range	partial flush volume setting range	approx. 2–4 l
Full flush volume factory setting	full flush volume factory setting	approx. 6 l
Large flush volume setting range	approx. 3.5–7.5 l	
Construction height	CH	820
Width	B	500
Weight	11500 g	
Volume	68296.2 cm <sup>3</sup>	

# Data sheet



**Prevista Dry WC element  
with shower WC connection  
820 mm  
Model 8533.38  
Article 804 213**

## Properties

---

Material	steel, PE
----------	-----------