



Prevista Concealed cistern 3H

- for floor-standing WC, immurement and encircling wall
- compatible with all WC flush plates for Prevista, flush actuation from front, dual flush technology

Components

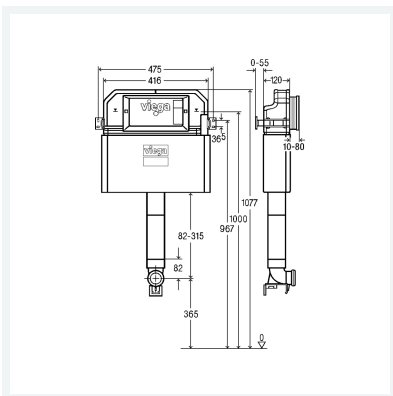
filling valve type AG (tested to BS 1212-4:2016 in accordance with WRAS approval number 2103302), flushing throttle, WC connection fitting, fixing material, alignment help, water connection R½ at the back and top

Note

Flush plates and accessories: WC and urinal flush plates for Prevista product group.

Model 8502.38

Article 804 657



Properties

Partial flush volume factory setting	partial flush volume factory setting	approx. 3 l
Partial flush volume setting range	partial flush volume setting range	approx. 2–4 l
Full flush volume factory setting	full flush volume factory setting	approx. 6 l
Large flush volume setting range	approx. 3.5–7.5 l	
Width	B	416
Weight	2750 g	
Volume	36684.257 cm ³	