

ARMERA

Installation Instructions

Lagoon | Anthem

Back-to-wall Toilets



Please note

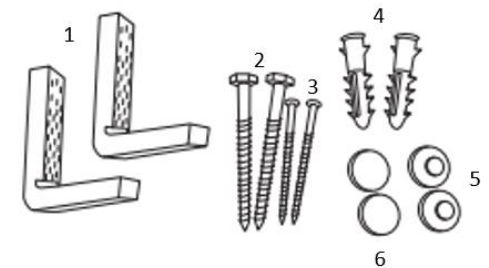
Please follow all instructions carefully. Failure to do so could invalidate your guarantee. As with the installation of any water bearing product, you must make sure that any laws prevalent to your area are followed. Such laws may include Local & National Water Supply Authority Regulations or Byelaws and Building and Plumbing Regulations. We recommend that a qualified registered plumber is used to install your product. Please ensure that when fitted, the product is easily accessed for service and maintenance requirements. Armera cannot be held liable for costs associated with accessing the product after it is fitted.

Before starting installation

These products are made from vitreous china, so please take every care when handling them to avoid surface damage.

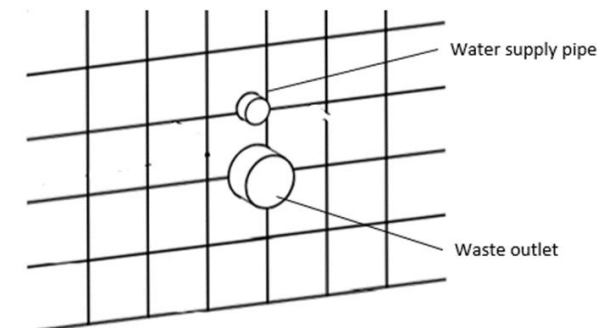
Please remove all packaging and make sure no components are missing. The following components should be present:

Item	Description
1	Fixing brackets x2
2	Floor fixing screws x2
3	Pan fixing screws x2
4	Rawl plugs x2
5	Washers x2
6	Cover caps x2

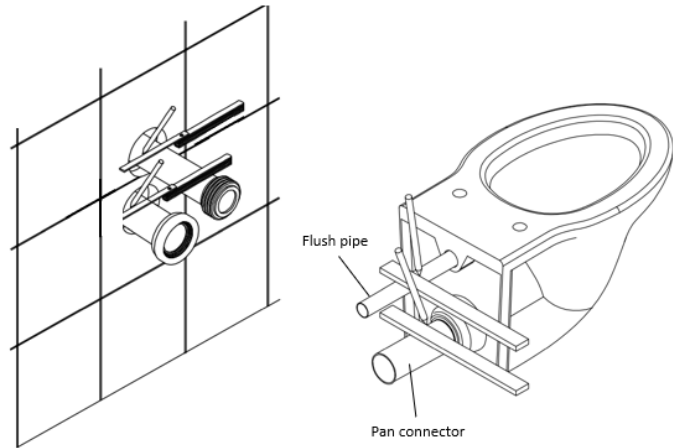


Installation

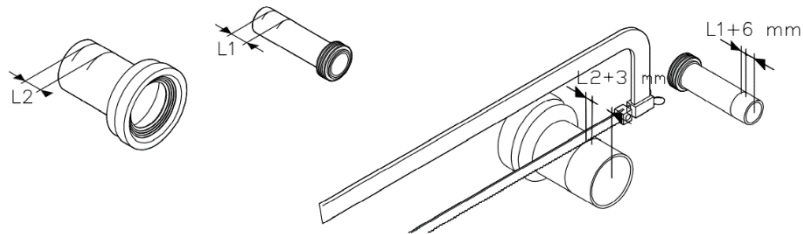
1. Follow the instructions for installation of concealed cistern (Armera part code CI.735). You will be left with the following parts protruding from the wall:



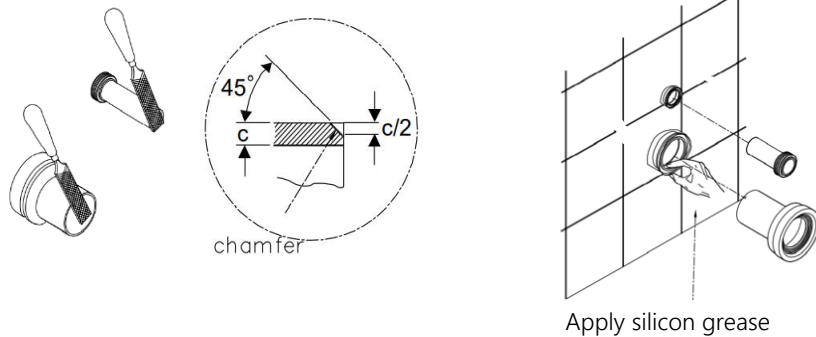
2. Mark the correct lengths for the flush pipe (supplied with concealed cistern) and pan connector (not supplied).



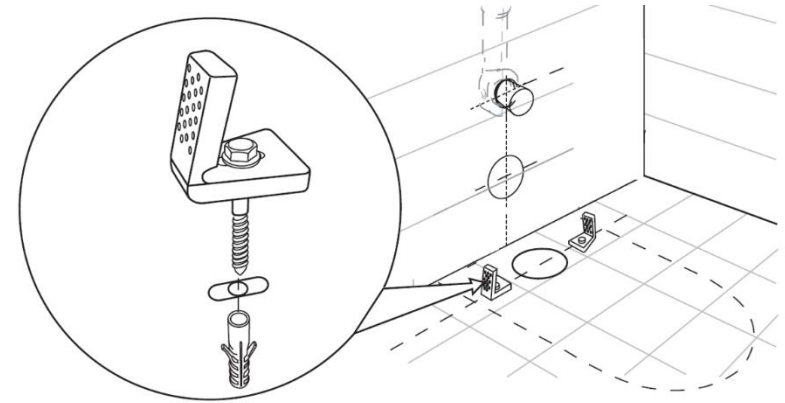
3. Cut the flush pipe and pan connector to the correct length.



4. Make a chamfer on the outer face of the flush pipe and pan connector and apply silicon grease to the inner face of the pipes in the wall.



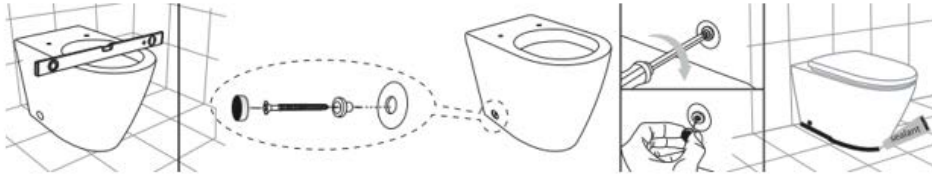
5. Without the flush pipe and pan connector attached, position the pan against the wall and mark on the floor the location of the holes for the fixing brackets. Next, pull the pan away from the wall and secure the fixing brackets to the floor using the floor fixing screws and rawl plugs provided.



6. Re-attach the flush pipe and pan connector and push the pan back into its final position. Ensure that you make a secure connection with the flush pipe into the water supply and pan connector into the waste outlet. Test for leaks by flushing the toilet before fixing the pan to the floor.



7. Ensure the pan is level and then secure it to the fixing brackets using the pan fixing screws and washers provided. Fix on the cover caps and seal the base of the pan using silicon sealant.



8. Finally, attach the toilet seat by following the instructions provided with the seat.

Contact us:

Should you need any assistance, please email us at info@armera.co.uk or call 01225 251204

Guarantee

This Armera product is guaranteed against manufacturing defects. The cover period is from date of supply to the Armera customer and will last for 2 years for parts and labour. The parts guarantee can be extended to 25 years by registering your guarantee. To register your guarantee and review all guarantee conditions, please go to www.armera.co.uk

