

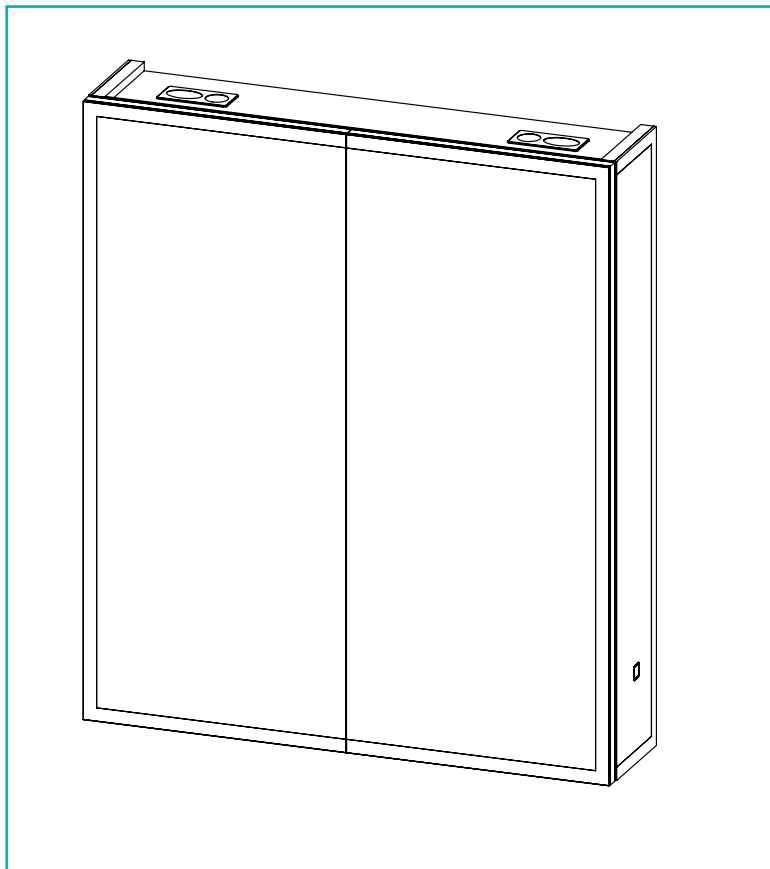
# HiB

MAKING  
**BATHROOMS**  
BEAUTIFUL

## SOUND

Sound 50: Art No 54800 / Sound 60: Art No 54900

Sound 80: Art No 55000



Fitting Instructions

**Thank you for purchasing this HiB product.**

Please read through these instructions carefully and refer back to them during installation to ensure that your product is fitted safely and that it retains its high quality finish.

## Electrical Safety Information

HiB recommends that all electrical bathroom products must be installed in accordance with current building and wiring regulations.

**If in doubt please contact an electrician.**

**Before drilling ensure that there are no hidden cables or pipes in the wall.**

## Warnings for Safe Use

- This product is intended for Domestic Use only.
- Please read the instructions and warnings carefully before installing the product and ensure this document is kept with the product for future reference to ensure product longevity and in the interest of safety.
- If you give the product to another person, please give them this manual as well.
- If any modification is made it will invalidate the warranty and may render the product unsafe.
- This product is IP44 rated and suitable for installation in Zones 2 and Outside Zones according to the IEE regulations.
- It is not suitable for use in saunas, steam rooms and shower cubicles.
- Appropriate circuit protection should be available for the product.
- When drilling use appropriate eye protection.
- The use of a Residual Current Device (RCD) is advised for any power tools used during the installation of this product.
- Take suitable precautions when handling glass.
- Beware of hidden cables or pipes. Take care if drilling on tiled surfaces in case the drill slips.
- Always switch off the electrical supply to the product at the mains during installation and maintenance.
- It is recommended that this product is installed by a person who is able to meet the level of competence required in order to comply with relevant regulations. If in doubt consult a qualified tradesperson.
- Do not enter IP44 box unless competent and item is isolated from mains.
- Do not use if glass is broken or unsafe.
- Do not use if any electrical wires appear damaged or degraded.
- Do not overload shelves or unit.
- This product is designed for installation into a brick or masonry block wall, if mounting onto other substrate ensure appropriate fixing and batons (if required) are used and the load bearing of the wall is sufficient.
- It is recommended that this product is installed by two people.
- Dispose of packaging in accordance to local authority regulations.
- At end of life dispose of item according to local authority regulations.

# Electrical Information

This product contains a light source of energy efficiency class **F**



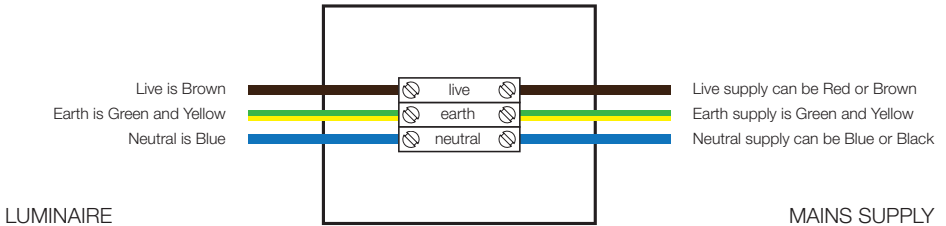
Fig 1. - Zonal Diagram

All installations must comply with guidelines which are based on a zonal concept and must be followed to ensure the safe installation of electrical appliances in the bathroom.

These regulations apply to domestic installations only. Installations must be made in accordance with the current IEE wiring regulations and relevant building regulations.

This product is IP44 rated and is suitable for installation in zones: **2 & Outside Zone**

## Wiring Diagram



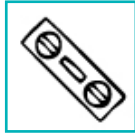
## What's in the Box?

- Sound Cabinet
- Glass shelves
- Mounting bracket
- Fittings pack

## Tools Required



Pencil



Spirit Level



Drill



Drill bit



Screwdriver

## Figures

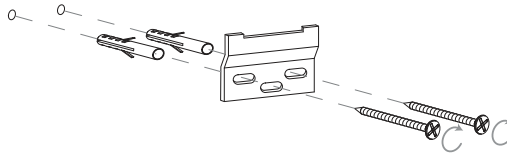


Fig 2. - Hanging Bracket

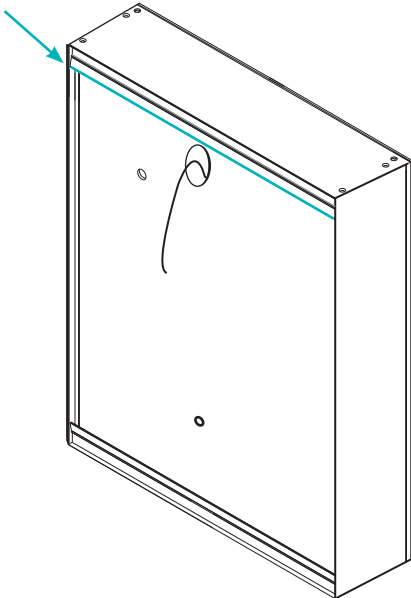


Fig 3. - Mounting Points

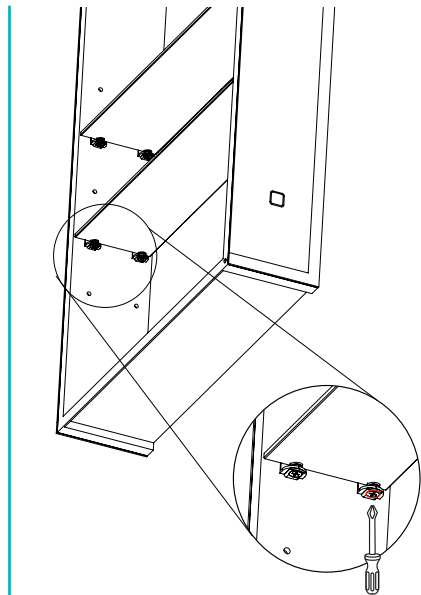
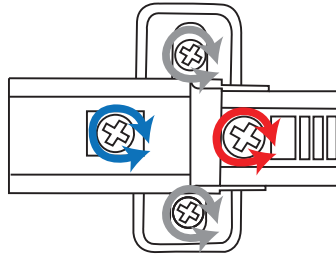
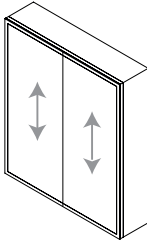


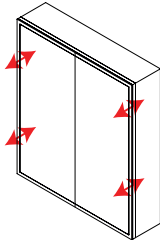
Fig 4. - Shelf bracket

# Adjustment

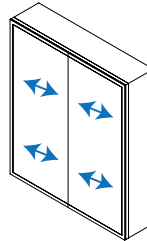
- Move door(s) up/down



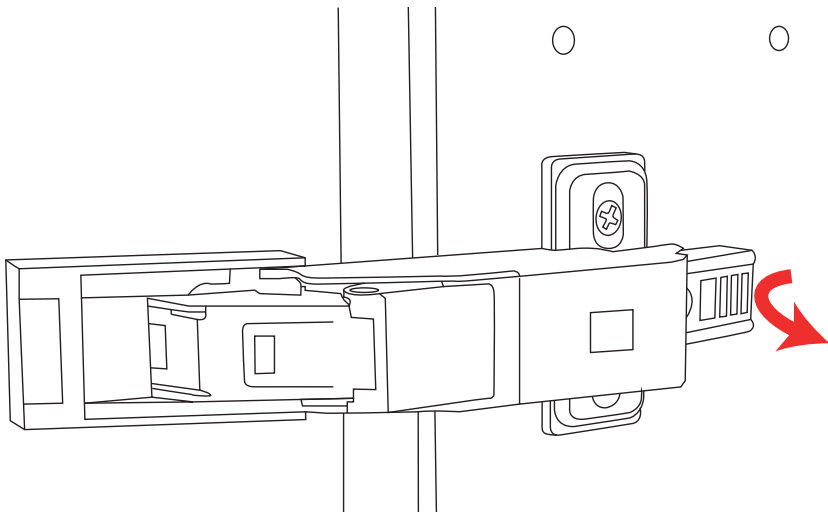
- Move door away/towards the cabinet



- Move door(s) left/right



## Door Adjustment



## Door Removal

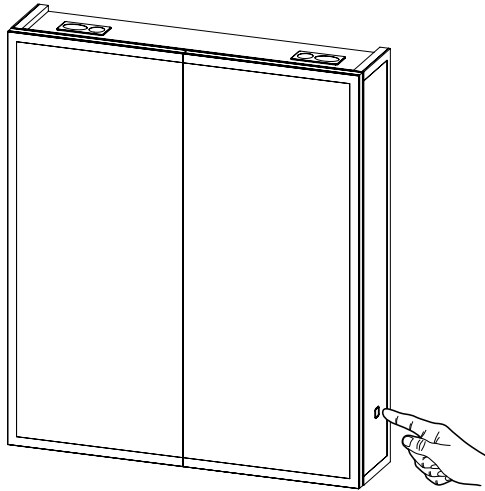
**Before installation, ensure the domestic electrical mains supply to which the cabinet is to be connected is turned off. Before drilling, ensure that there are no hidden cables or pipes in the wall.**

**It is recommended that this product is installed by two people.**

1. Position the cabinet in a suitable location, *according to the zonal diagram Fig. 1*, ensuring that the mains supply cable is within reach of the cable connection point of the cabinet. Carefully mark the top of the cabinet when in the desired position using a soft pencil, ensuring it is level.
2. Remove the cabinet from the wall and place on to a soft surface, taking care not to damage the mirror edges.
3. Measure the distance from the top of the cabinet to the mounting groove located on the back of the cabinet. Using a spirit level, mark a horizontal line below the pencil mark for the top of the cabinet. Place the brackets on the second line and carefully mark the position of the holes using a soft pencil, *see Fig.2*
4. Before drilling, ensure there are no hidden cables or pipes behind the mounting point. Using a suitable drill bit, drill holes in the marked positions to a suitable depth.
5. Insert wall plugs level with the surface of the wall. If fitting to a tiled surface, wall plugs should be inserted below the tile surface to avoid cracking. **NB. For plasterboard walls, specialist fixings should be purchased from any DIY or hardware store.**
6. Fix the brackets to the wall using the screws provided.
7. Temporarily hang the cabinet on the brackets, *see Fig. 3*, to mark the position of the internal fixing hole, then remove the cabinet. Using a suitable drill bit, drill a hole and insert a wall plug as per stage 3.
8. Connect the cable at the rear of the cabinet to the mains supply cable using a suitable terminal block (not supplied) *according to the wiring diagram on page 3*.
9. Rehang the cabinet in position and secure the base of the cabinet with the supplied screw(s) and screw cap(s).
11. To install the glass shelving, place the shelf fixings provided at the required level on each internal side of the cabinet.
12. Position the glass shelf in the fixings and secure in place by tightening the screw on the underside of the shelf fixing. Do this for all fixings to secure the glass shelf in position.
13. Switch the mains supply back on.

## Operation

To turn illumination on or off, touch the button on the right side of the cabinet. The heated pad is only on when the cabinet is illuminated.



### Charging Socket(s) and USB

Charger socket(s) are suitable for charging and powering electric razors, trimmers and toothbrushes. Some cabinets may contain multiple charging sockets. *NB. On first use of the charger socket, inserting the plug may prove to be stiff. Reasonable force may be required to fully insert the plug. After a few uses, stiffness will ease and the socket will function as normal.*

### Pairing Device To the Cabinet

- To activate the Bluetooth, turn on cabinet by the sensor located on the side of the cabinet. The cabinet will give out a tone to confirm it is ready for pairing.
- Activate the Bluetooth on your device\*. Refer to the device's instructions for details.
- Search for "SOUND" and select 'Pair' on your device. The cabinet will give out a tone to confirm successful connection.
- You can now play audio through the Bluetooth cabinet.
- When the cabinet is turned off the connection to the Bluetooth will be lost. When the cabinet is turned on again it will automatically reconnect to the last connected device if it is still within range.
- Refer to your device manual for operating controls.

\*Only compatible Smart Phones & Bluetooth Devices.

## Care

To preserve the high quality finish of your HiB product, please ensure you regard the following care and cleaning recommendations:

- Avoid leaving excessive standing and surface water on the product for prolonged periods of time.
- Clean the product with water and a soft cloth, a mild detergent may be used if required. Ensure any excess moisture is removed after use.
- **Do not use** abrasive sponges or cleaning agents.

## Aftercare

In the unlikely event that this product should fail please contact the retailer from which the item was purchased.



WEEE compliance

Must not be mixed with  
general household waste

T: +44 (0)20 8441 0352 F: +44 (0)20 8441 0219 E: [sales@hib.co.uk](mailto:sales@hib.co.uk) [hib.co.uk](http://hib.co.uk)

Building 3, North London Business Park, Oakleigh Road South, New Southgate, London. N11 1GN

©HiB Copyright: No part of this document may be reprinted or duplicated without HiB consent. All sizes and measurements are approximate, but we do try and make sure they are as accurate as possible. In the interest of continuous product development, HiB reserves the right to alter specifications as necessary. E & OE.