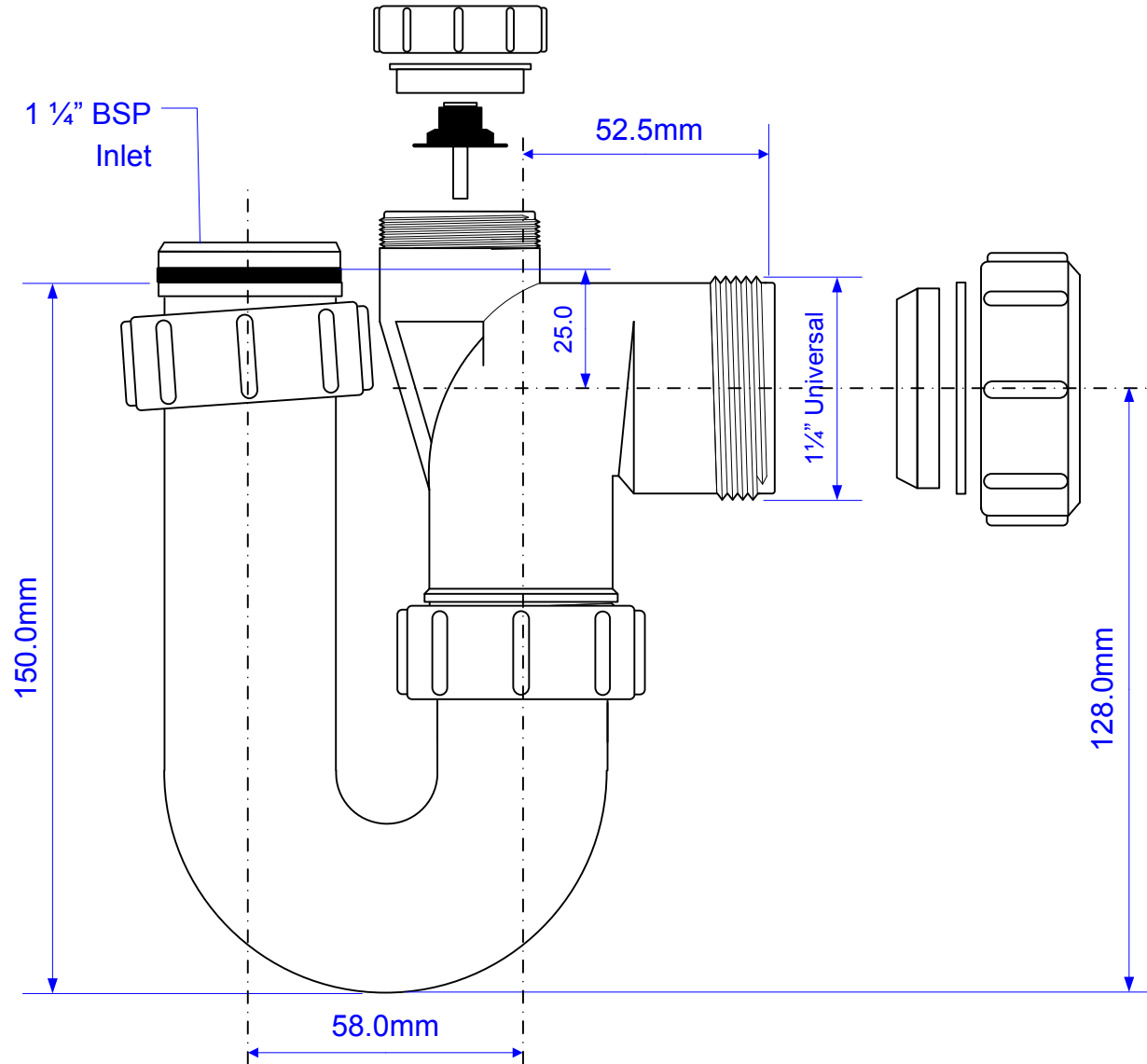


Code:

# SA10V



©McALPINE  
22/05/2006

DRAWN BY

RM

REVISED

SCALE

1: 1.5

FILENAME

SA10V.VSD

DATE

22/05/2006