

## ⚠ SAFETY NOTES

- ⚠ Gloves should be worn during installation to prevent crushing and cutting injuries.
- ⚠ The hot and cold supplies must be of equal pressures.

## INSTALLATION INSTRUCTIONS

- / Prior to installation, inspect the product for transport damages. After it has been installed, no transport or surface damage will be honoured.
- / The pipes and the fixture must be installed, flushed and tested as per the applicable standards.
- / The plumbing codes applicable in the respective countries must be observed.
- / 16585000: The mixer can not used together with a continuous flow water heater.

## TECHNICAL DATA

Operating pressure:	max. 1 MPa
Recommended operating pressure:	0,1 - 0,5 MPa
Test pressure:	1,6 MPa (1 MPa = 10 bar = 147 PSI)
Hot water temperature:	max. 70°C
Recommended hot water temp.:	65°C
Thermal disinfection:	max. 70°C / 4 min

The product is exclusively designed for drinking water!

## SYMBOL DESCRIPTION



Do not use silicone containing acetic acid!



DIMENSIONS (see page 35)



FLOW DIAGRAM (see page 36)



CLEANING (see page 38)



MAINTENANCE (see page 39)

The check valves must be checked regularly according to DIN EN 1717 in accordance with national or regional regulations (at least once a year).



SPARE PARTS (see page 40)

XXX = Colors

000 = Chrome Plated

800 = Stainless Steel Optic

## SPECIAL ACCESSORIES (order as an extra)



/ Adapter (G $\frac{3}{8}$  / G $\frac{1}{2}$ ) #93395000 (see page 41)



OPERATION (see page 37)

/ Do not rotate the spout further than 360° or damage to the hose will result.

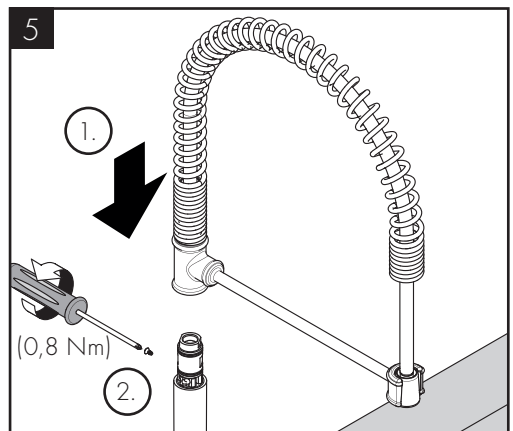
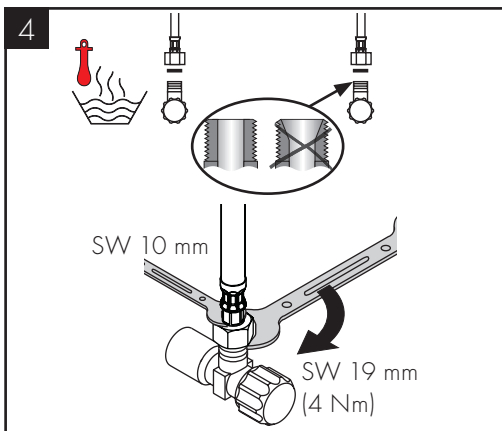
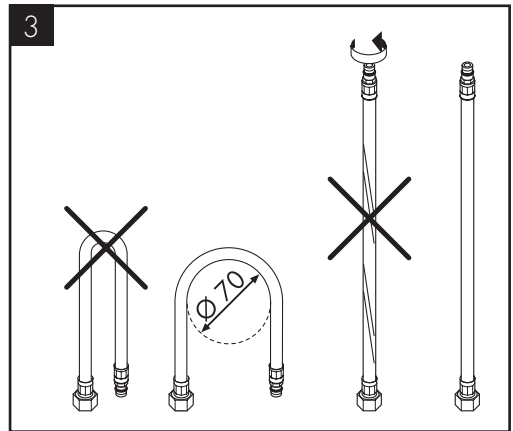
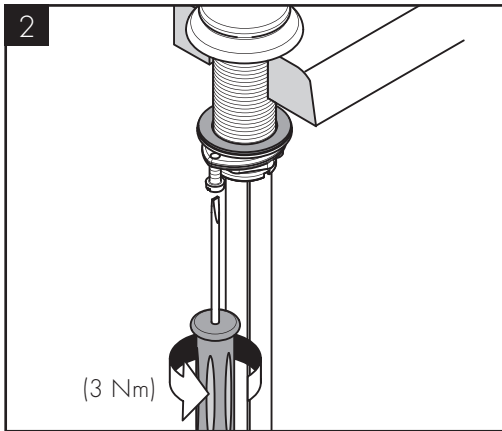
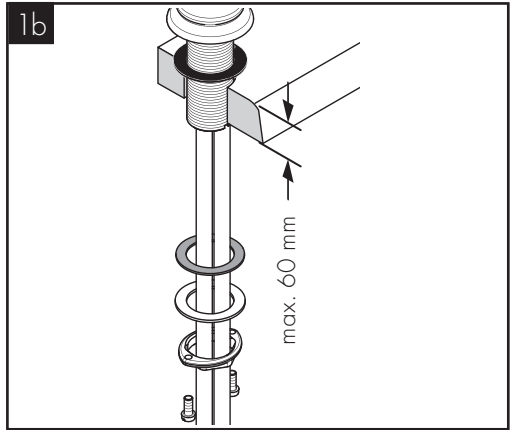
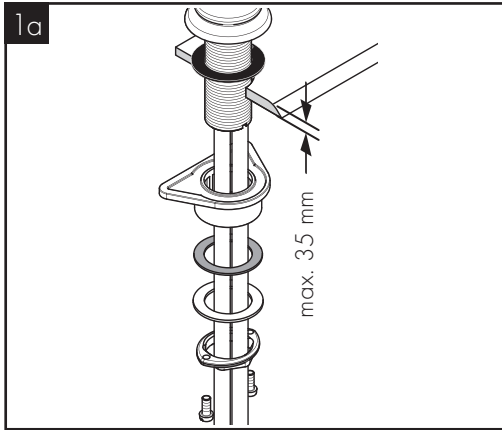
/ Hansgrohe recommends not to use as drinking water the first half liter of water drawn in the morning or after a prolonged period of non-use.

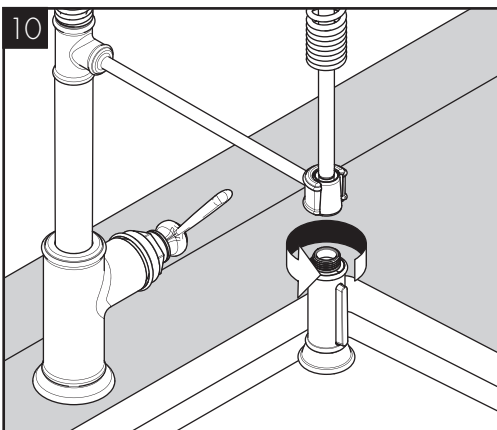
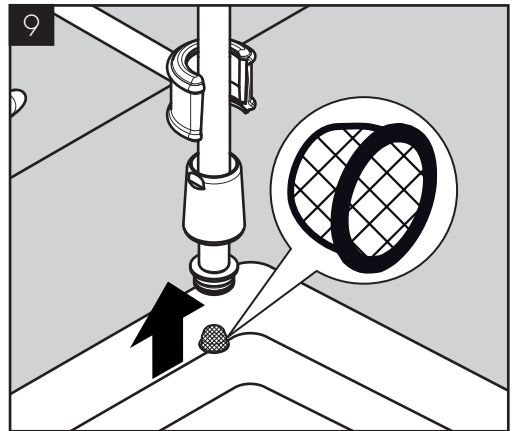
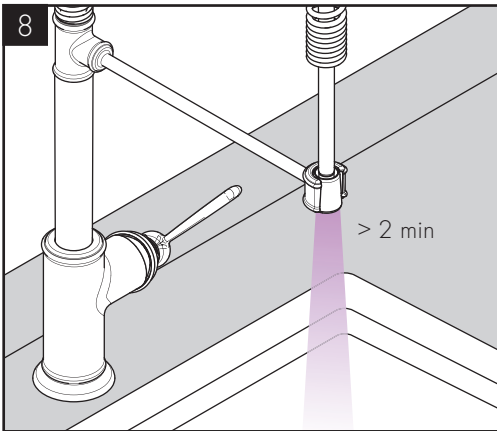
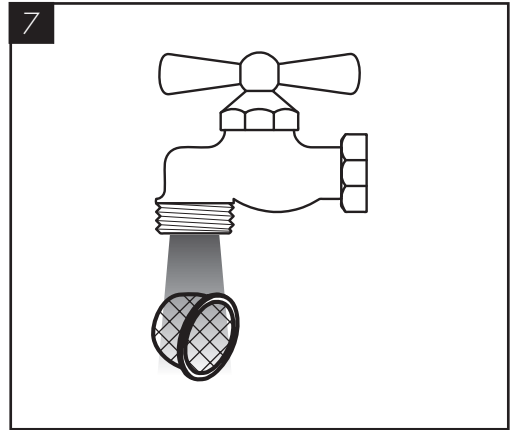
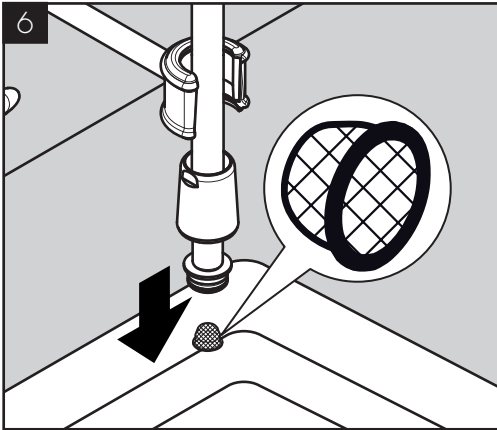


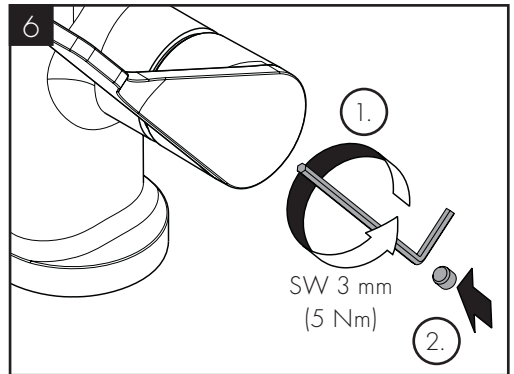
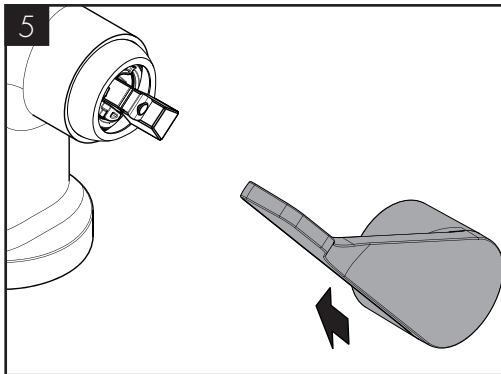
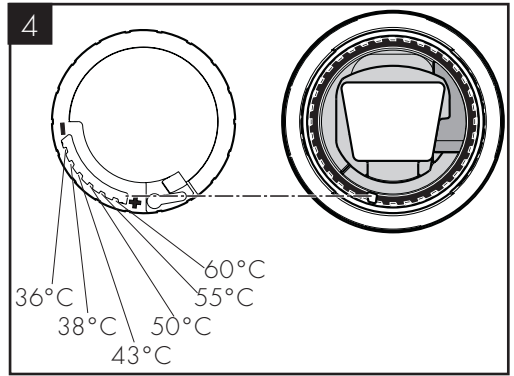
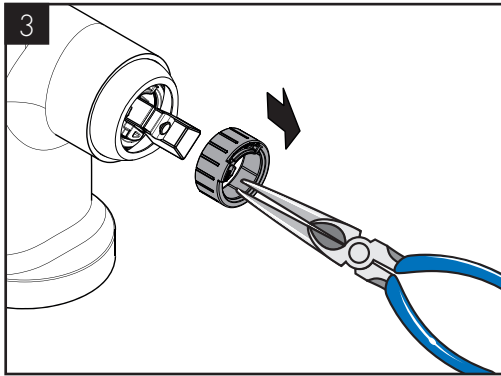
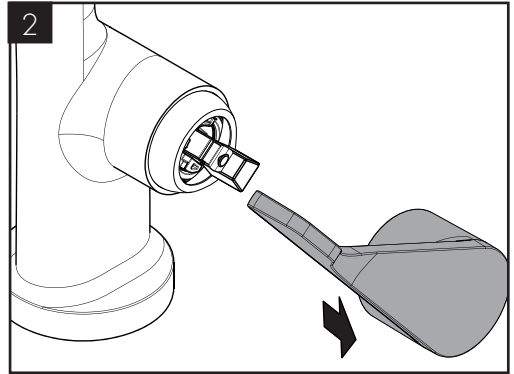
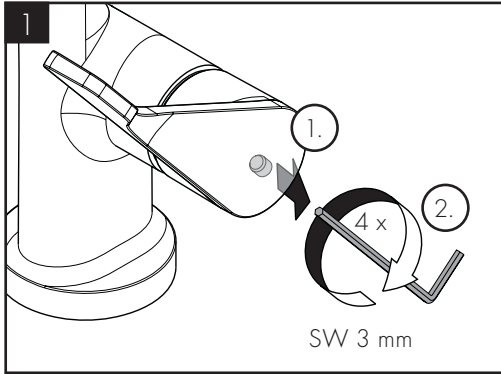
TEST CERTIFICATE (see page 42)

FAULT	CAUSE	REMEDY
/ Mixer stiff	/ Cartridge defective, calcified	/ Exchange cartridge
/ Mixer dripping	/ Cartridge defective	/ Exchange cartridge
/ Water escaping at the threaded base	/ connection hoses not completely screwed into basic body	/ Tighten connection hoses by hand
	/ O-ring at the connection hose defective.	/ Exchange O-ring
/ Hot water temperature too low	/ Hot water limiter incorrectly set	/ Set hot water limiter



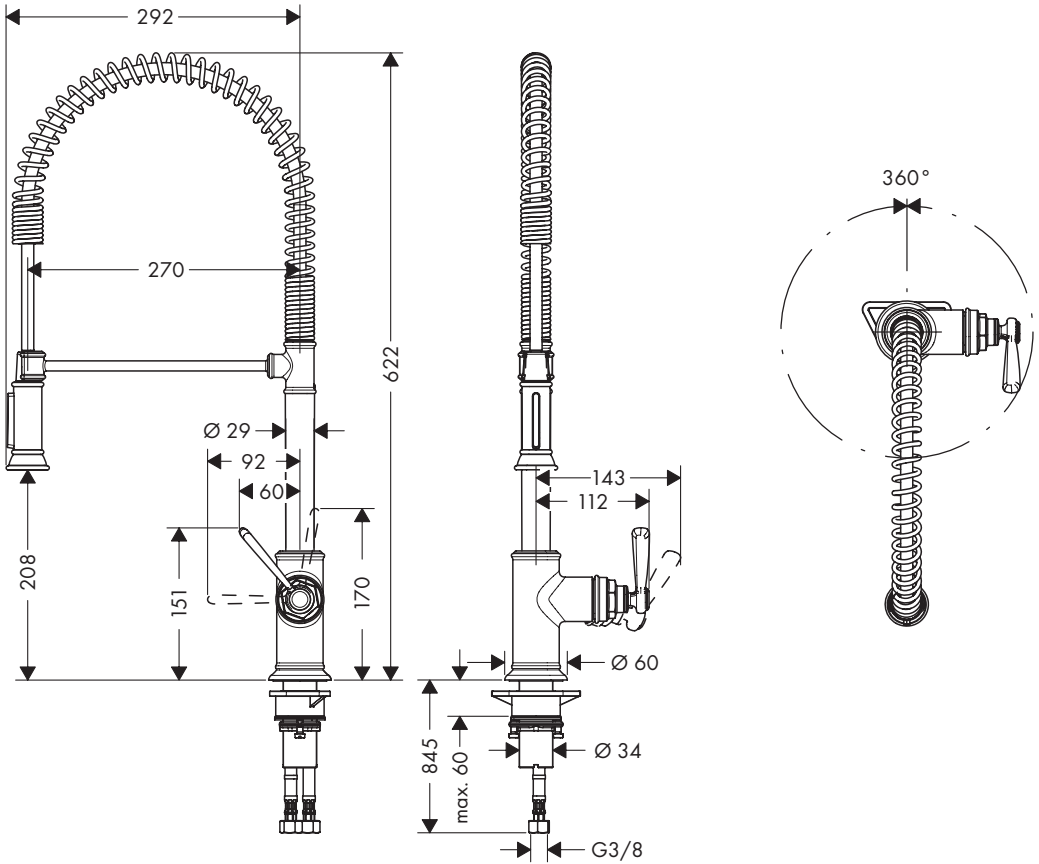








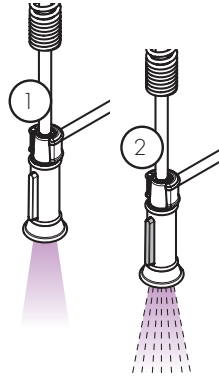
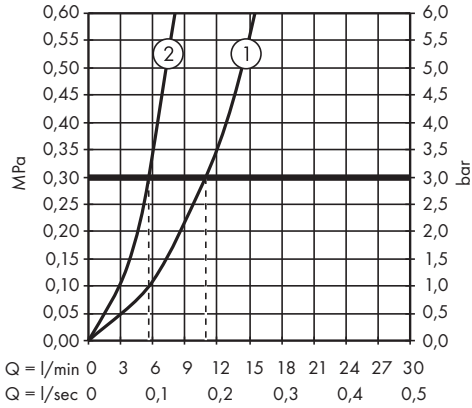
AXOR Montreux Semi-Pro  
 16582000 / 16582800  
 AXOR Montreux Semi-Pro Eco  
 16585000





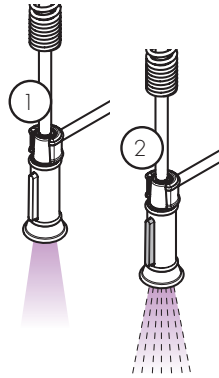
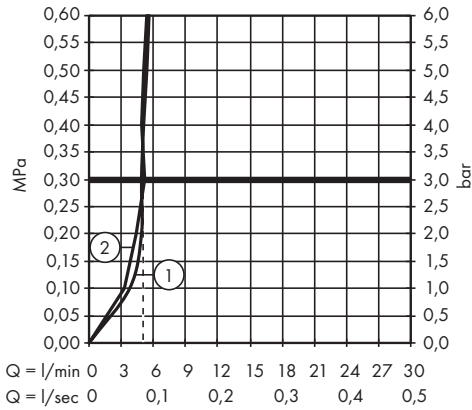
### AXOR Montreux Semi-Pro

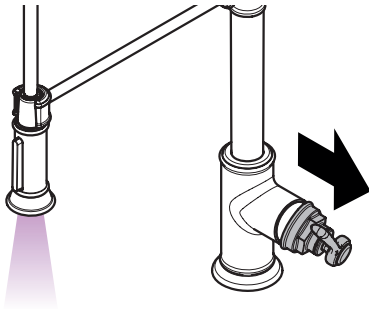
16582000 / 16582800



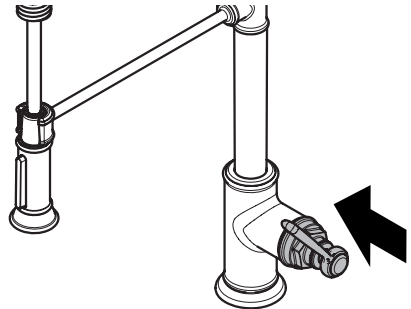
### AXOR Montreux Semi-Pro Eco

16585000

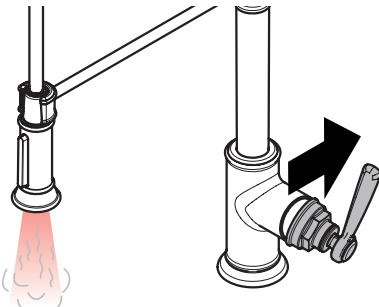




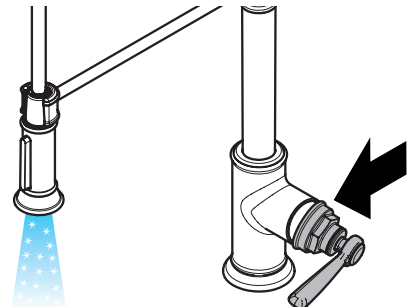
öffnen / ouvert / open / aperto / abierto / open / åbne / abrir /  
otworzyć / otevřít / otvorit / 开 / открыть / nyitás / avaaminen /  
öppna / atidaryti / Otvaranje / açmak / deschide / ανοικτό /  
odpreti / avage / atvērt / otvoriti / åpne / отварање / hare /  
فتح



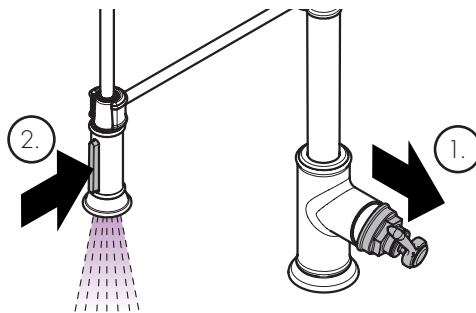
schließen / fermé / close / chiudere / cerrar / sluiten / lukke /  
fechar / zamknąć / zavřít / uzavrieť / 关 / закрыть / bezárás /  
sulkeminen / stänga / uždaryti / Zatvaranje / kapatmak /  
ínchide / κλειστό / zapreti / sulgege / aizvērt / zatvori / lukke /  
затварање / mbylle / إغلاق



warm / chaud / hot / caldo / caliente / varm / varmt / quente /  
ciepla / teplá / teplá / 热 / горячая / meleg / lämmin / varmt /  
karštas / Vruća voda / sıcak / cald / ζεστό / toplo / kuum /  
karsts / topla / varm / тепло / i ngrohtë / ساخن



kalt / froid / cold / freddo / frío / koud / koldt / fria / zimna /  
studená / studená / 冷 / холодная / hideg / kylmä / kallt /  
šaltas / Hladno / soğuk / rece / κρύο / mrzlo / külm / auksts /  
hladno / kaldt / студено / i ftohtë / بارد



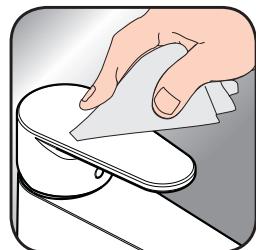
öffnen / ouvert / open / aperto / abierto / open / åbne / abrir /  
otworzyć / otevřít / otvorit / 开 / открыть / nyitás / avaaminen /  
öppna / atidaryti / Otvaranje / açmak / deschide / ανοικτό /  
odpreti / avage / atvērt / otvoriti / åpne / отварање / hare /  
فتح



- DE / Reinigungsempfehlung / Garantie / Kontakt  
FR / Recommandation pour le nettoyage / Garanties / Contact  
EN / Cleaning recommendation / Warranty / Contact  
IT / Raccomandazione di pulizia / Garanzia / Contatto  
ES / Recomendaciones para la limpieza / Garantía / Contacto  
NL / Aanbevelingen inzake reiniging / Garantie / Contact  
DK / Rensning, anbefaling / Garanti / Kontakt  
PT / Recomendações de limpeza / Garantia / Contacto  
PL / Zalecenie dotyczące pielęgnacji / Gwarancja / Kontakt  
CS / Doporučení k čištění / Záruka / Kontakt  
SK / Odporúčania pre čistenie / Záruka / Kontakt  
ZH / 清洁指南 / 担保 / 接触  
RU / Рекомендации по очистке / Гарантия / Контакты  
HU / Tisztítási tanácsok / Garancia / érintkezés  
FI / Puhdistussuositus / Takuu / Kosketus  
SV / Rengöringsrekommendationer / Garanti / Contacto  
LT / Valymo rekomendacijos / Garantija / Kontaktai  
HR / Preporuke za čišćenje / Garancija / Kontakt  
TR / Temizleme önerisi / Garanti / Temas  
RO / Recomandări pentru curățare / Garanție / Contact  
EL / Σύσταση καθαρισμού / Εγγύηση / επαφή  
SL / Priporočilo za čišćenje / Garancija / Kontakt  
ET / Puhastussuovitused / Garantii / Kontakt  
LV / Tīrīšanas ieteikumi / Garantija / Kontakti  
SR / Preporuke za čišćenje / Garancija / Kontakt  
NO / Anbefaling for rengjøring / Garanti / Kontakt  
BG / Препоръка за почистване / Гаранция / Контакт  
SQ / Këshilla rreth pastrimit / Garancia / Kontakt  
KO / 세정시 권장사항 / 품질보증 / 접촉  
AR / توصيات التنظيف / الضمان (الولايات المتحدة الأمريكية) / اتصال



[www.axor-design.com/  
cleaning-recommendation](http://www.axor-design.com/cleaning-recommendation)



[www.axor-design.com/  
cleaning-recommendation](http://www.axor-design.com/cleaning-recommendation)

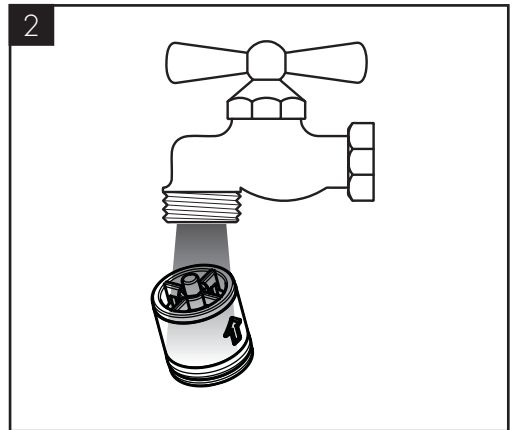
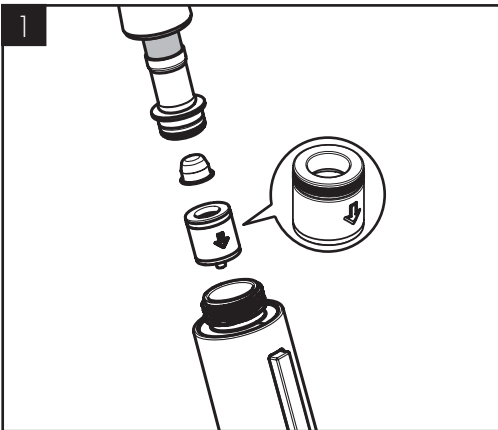
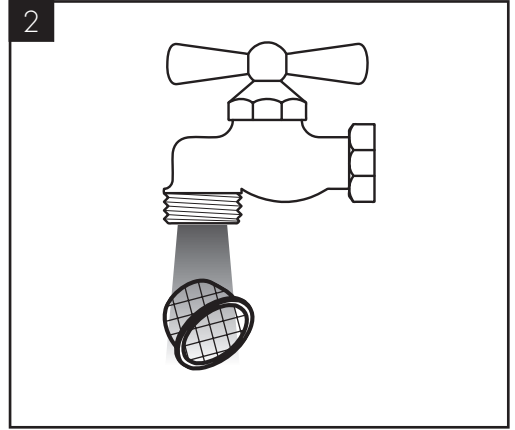
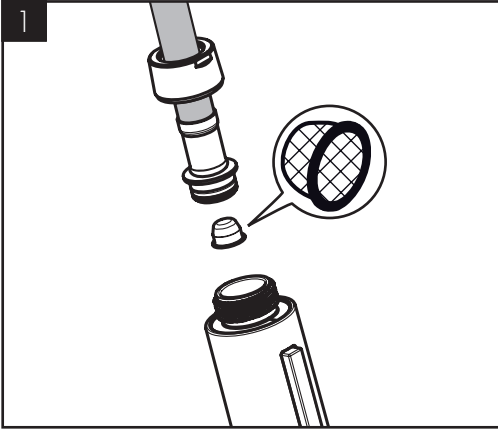


[www.axor-design.com/  
cleaning-recommendation](http://www.axor-design.com/cleaning-recommendation)



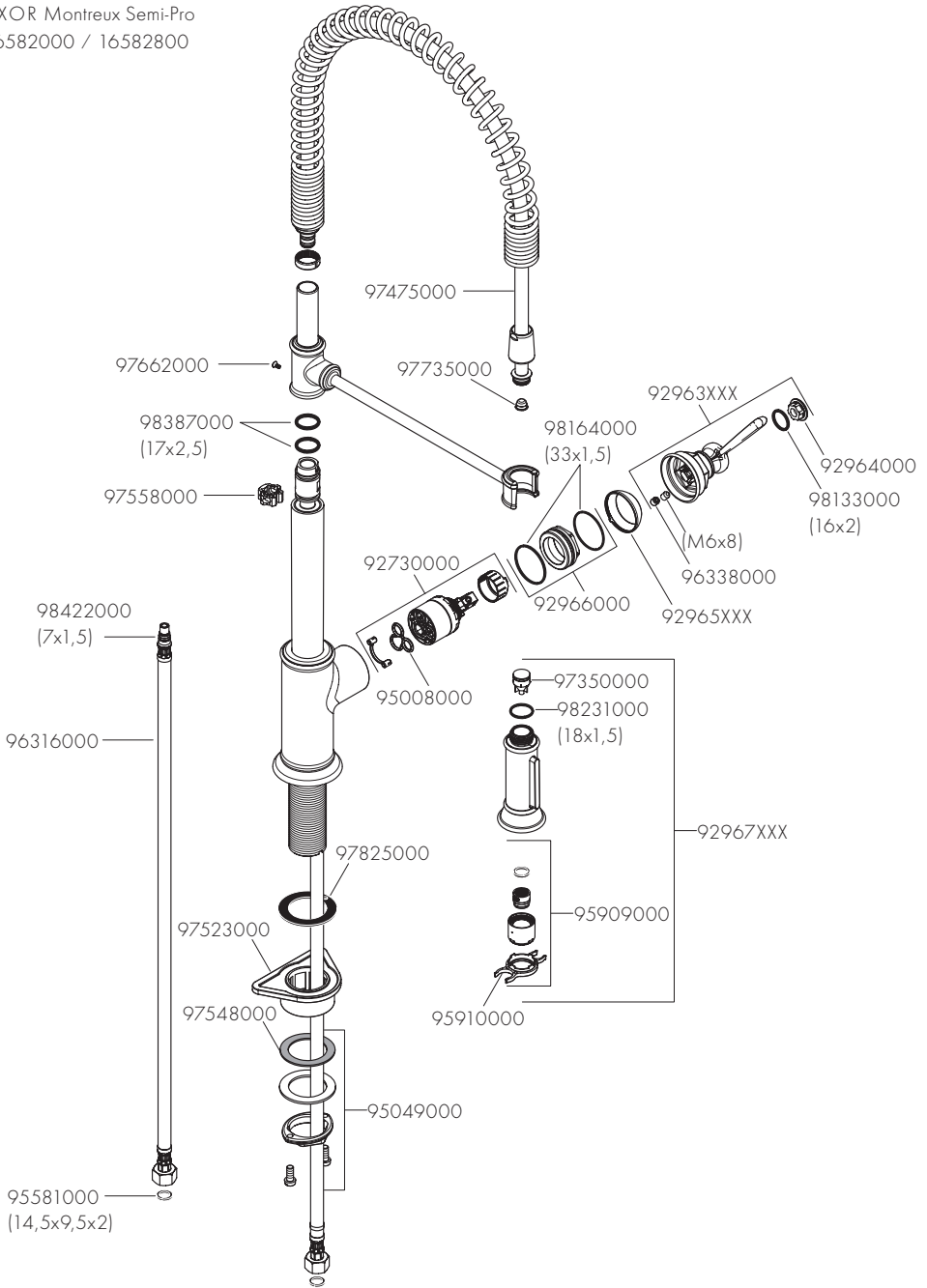
[www.axor-design.com/  
cleaning-recommendation](http://www.axor-design.com/cleaning-recommendation)





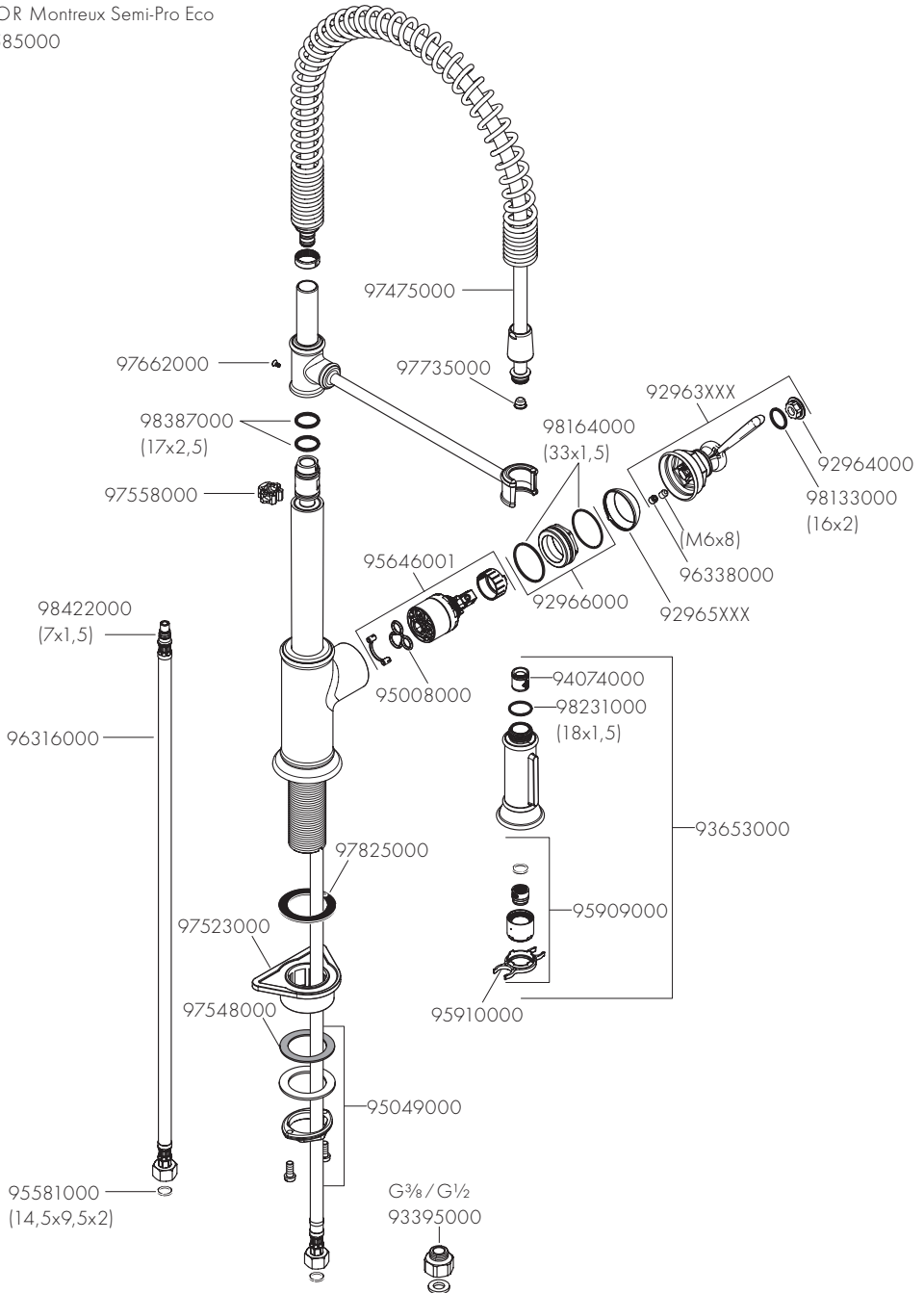


AXOR Montreux Semi-Pro  
16582000 / 16582800





AXOR Montreux Semi-Pro Eco  
16585000





P-IX

DVGW

NF



ETA



16582XXX

P-IX 7285/10

X

16585000





# AXOR

AXOR / Hansgrohe SE  
Austraße 5-9  
77761 Schiltach  
Deutschland

[info@axor-design.com](mailto:info@axor-design.com)  
[axor-design.com](http://axor-design.com)

01/2020  
9.05324.03