

△ SAFETY NOTES

- △ Gloves should be worn during installation to prevent crushing and cutting injuries.
- △ The hot and cold supplies must be of equal pressures.

INSTALLATION INSTRUCTIONS

- / Prior to installation, inspect the product for transport damages. After it has been installed, no transport or surface damage will be honoured.
- / The pipes and the fixture must be installed, flushed and tested as per the applicable standards.
- / The plumbing codes applicable in the respective countries must be observed.

TECHNICAL DATA

| | |
|---------------------------------|---------------------------------------|
| Operating pressure: | max. 1 MPa |
| Recommended operating pressure: | 0,1 - 0,5 MPa |
| Test pressure: | 1,6 MPa (1 MPa = 10 bar = 147 PSI) |
| Hot water temperature: | max. 60°C |
| Thermal disinfection: | 70°C / 4 min |

- / Safety against backflow
- / The product is exclusively designed for drinking water!

SYMBOL DESCRIPTION

Do not use silicone containing acetic acid!



ADJUSTMENT (see page 40)

To adjust the hot water limiter. Using a hot water limiter in combination with a continuous flow water heater is not recommended.



MAINTENANCE (see page 43)

The check valves must be checked regularly according to EN 806-5 in accordance with national or regional regulations (at least once a year).



DIMENSIONS (see page 41)



FLOW DIAGRAM (see page 41)

- ① Normal spray
- ② Regular



SPARE PARTS (see page 44)

SPECIAL ACCESSORIES
(order as an extra)Adapter (G^{3/8}/G^{1/2})
#93395000 (see page 45)

CLEANING (see page 35)



OPERATION (see page 42)

Hansgrohe recommends not to use as drinking water the first half liter of water drawn in the morning or after a prolonged period of non-use.

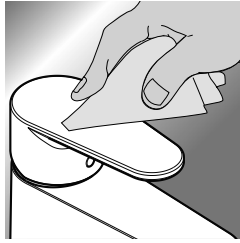
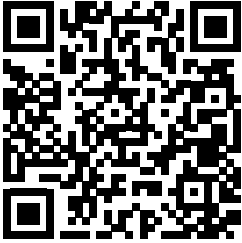


TEST CERTIFICATE (see page 42)

| FAULT | CAUSE | REMEDY |
|---------------------------------------|---|---------------------------------------|
| / Insufficient water | / Aerator calcified, dirty | / Clean aerator, replace as necessary |
| / Mixer stiff | / Cartridge defective, calcified | / Exchange cartridge |
| / Mixer dripping | / Cartridge defective | / Exchange cartridge |
| / Water escaping at the threaded base | / connection hoses not completely screwed into basic body | / Tighten connection hoses by hand |
| | / O-ring at the connection hose defective. | / Exchange O-ring |
| / Hot water temperature too low | / Hot water limiter incorrectly set | / Set hot water limiter |

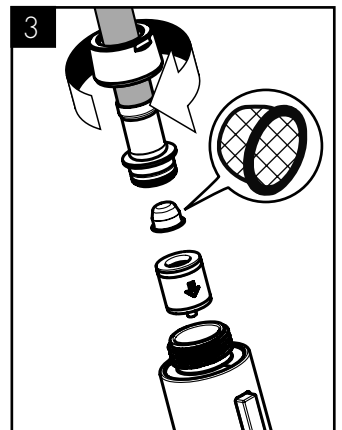
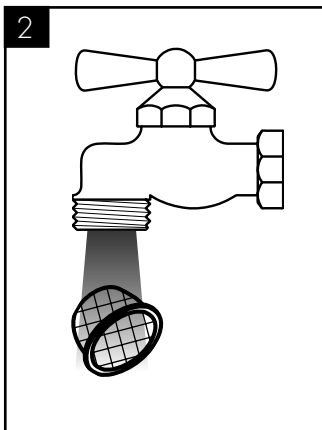
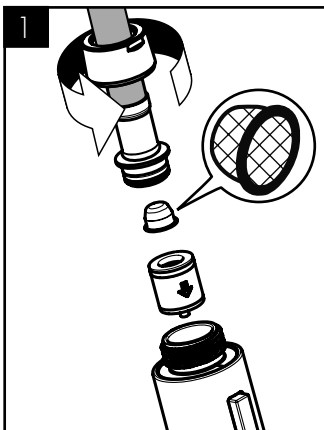


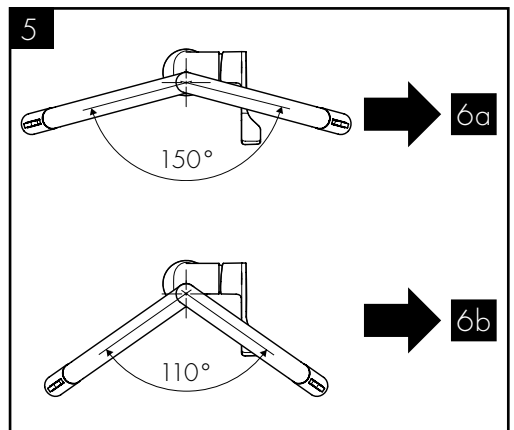
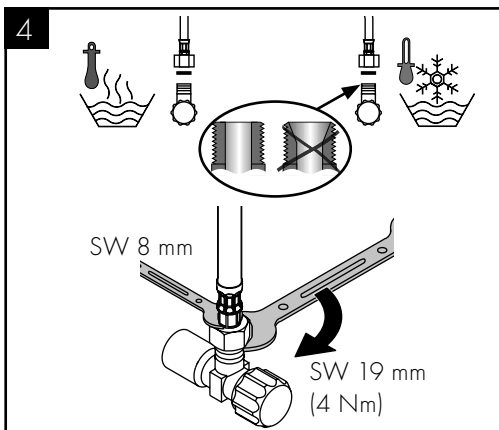
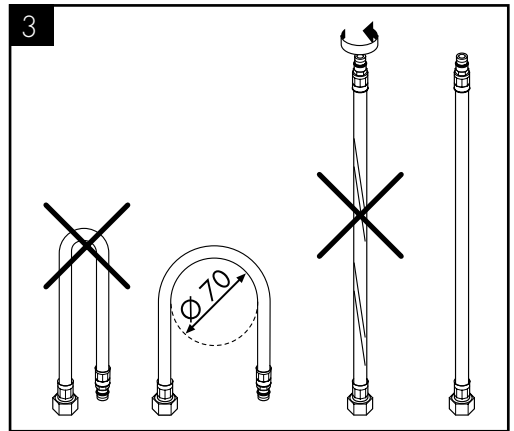
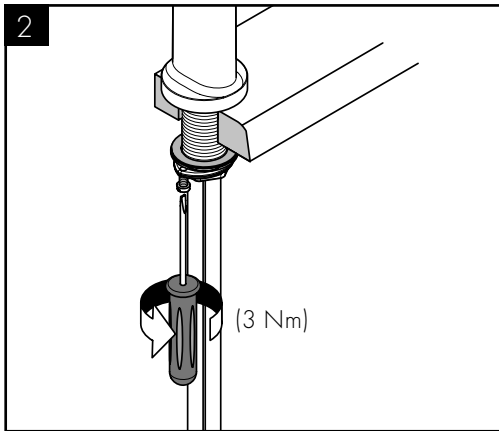
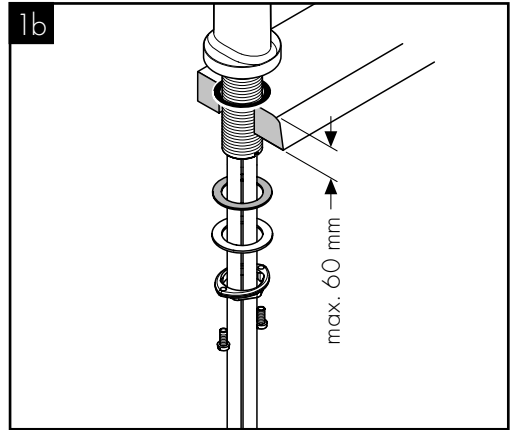
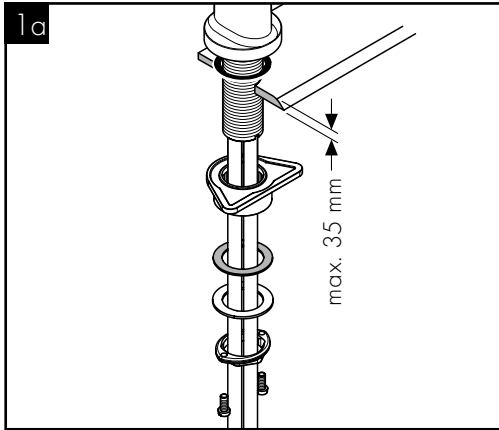
www.axor-design.com/cleaning-recommendation



DE / Reinigungsempfehlung / Garantie / Kontakt
 FR / Recommandation pour le nettoyage / Garanties / Contact
 EN / Cleaning recommendation / Warranty / Contact
 IT / Raccomandazione di pulizia / Garanzia / Contatto
 ES / Recomendaciones para la limpieza / Garantía / Contacto
 NL / Aanbevelingen inzake reiniging / Garantie / Contact
 DK / Rengøringsvejledning / Garanti / Kontakt
 PT / Recomendações de limpeza / Garantia / Contacto
 PL / Zalecenie dotyczący pielęgnacji / Gwarancja / Kontakt
 CS / Doporučení k čištění / Záruka / Kontakt
 SK / Odporúčania pre čistenie / Záruka / Kontakt
 ZH / 清洁指南 / 担保 / 接触
 RU / Рекомендации по очистке / Гарантия / Контакты
 FI / Puhdistussuositus / Takuu / Kosketus
 SV / Rengöringsrekommendationer / Garanti / Contacto
 LT / Valymo rekomendacijos / Garantija / Kontaktai
 HR / Preporuke za čišćenje / Garancija / Kontakt
 RO / Recomandări pentru curățare / Garanție / Contact

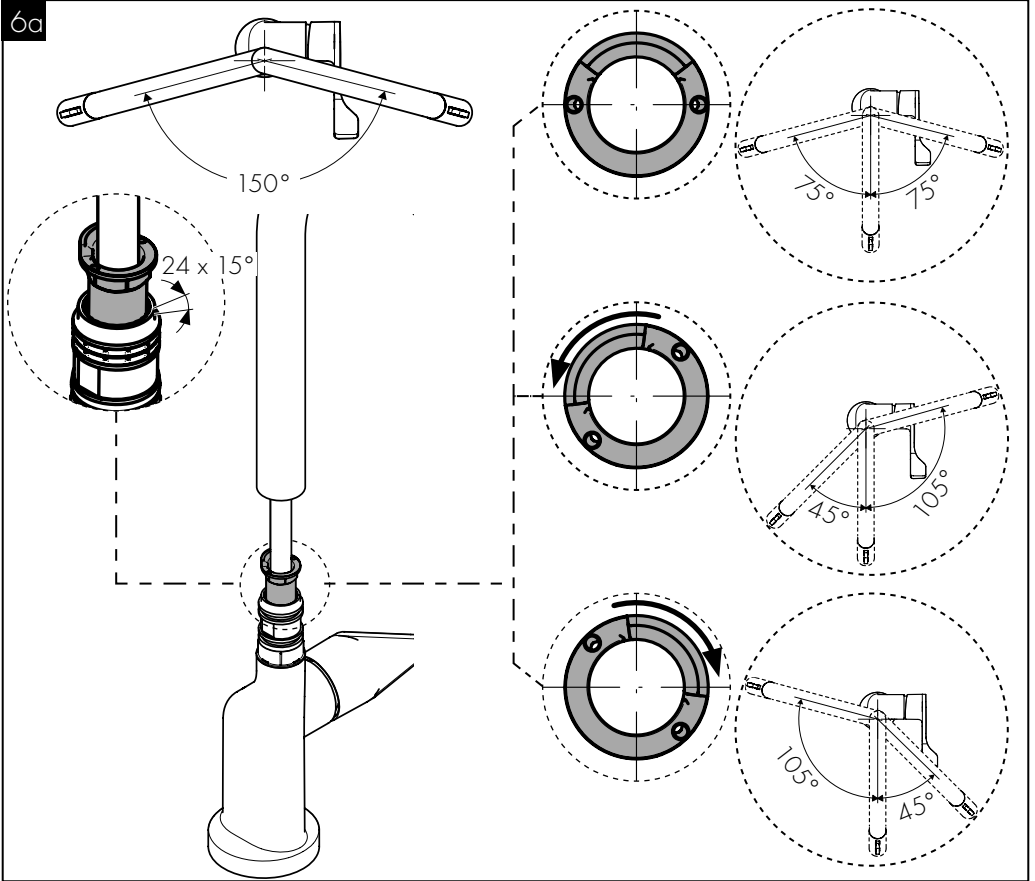
EL / Σύσταση καθαρισμού / Εγγύηση / επαφή
 SL / Priporočilo za čiščenje / Garancija / Kontakt
 ET / Puhastussuositused / Garantii / Kontakt
 LV / Tīrīšanas ieteikumi / Garantija / Kontakti
 SR / Preporuke za čišćenje / Garancija / Kontakt
 NO / Anbefaling for rengjøring / Garanti / Kontakt
 BG / Препоръка за почистване / Гаранция / Контакт
 JP / お手入れの方法 / 保証について / ご連絡先
 SQ / Këshilla rreth pastrimit / Garancia / Kontakt
 AR / توصيات التنظيف / الضمان / اتصال
 TR / Temizleme önerisi / Garanti / Temas
 HU / Tisztítási tanácsok / Garancia / érintkezés
 HE / המלצות לניקוי / אחריות / איש קשר





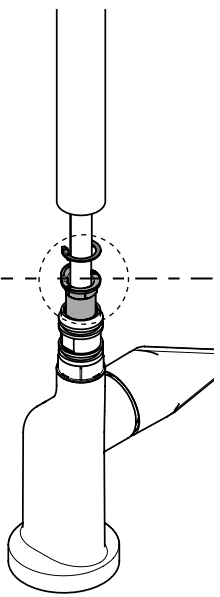
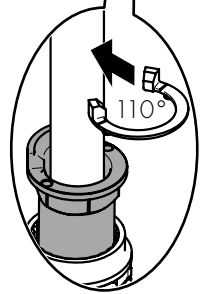
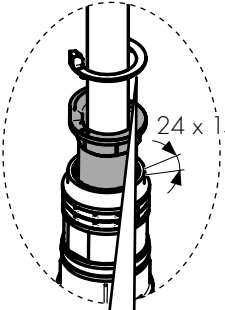
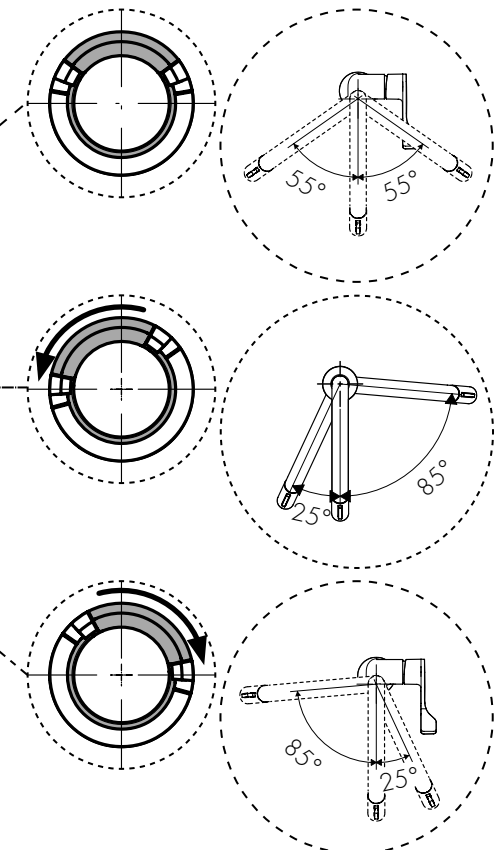
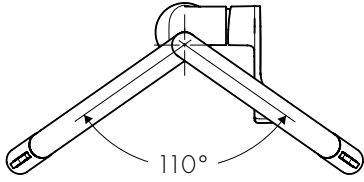


6a

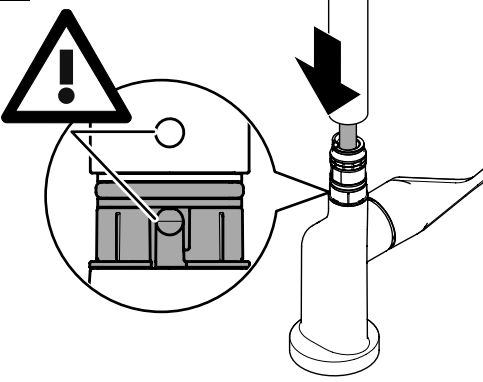




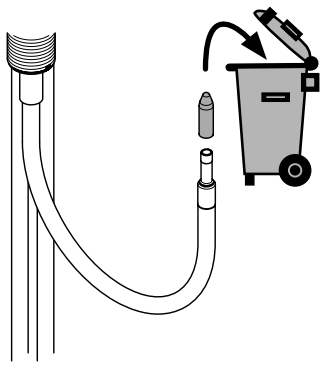
6b

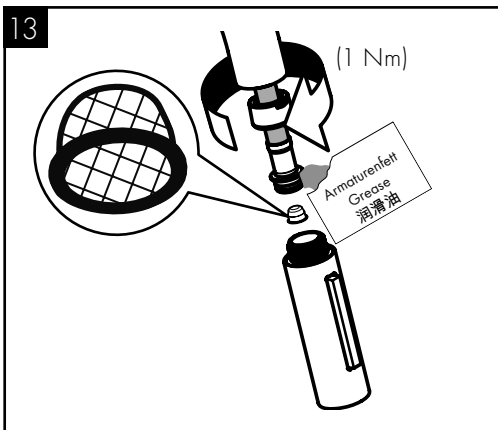
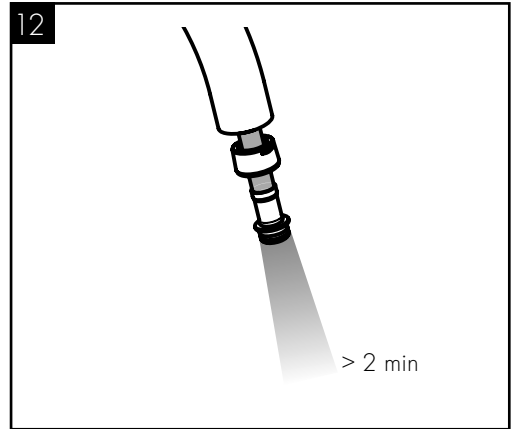
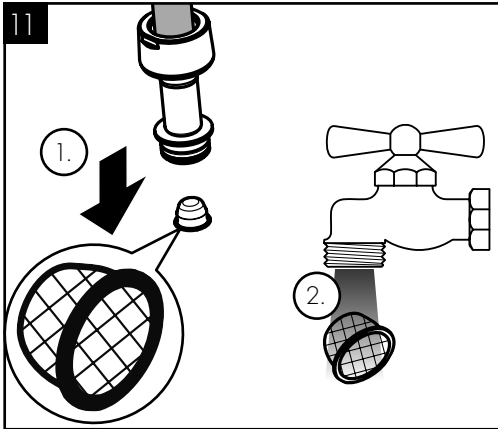
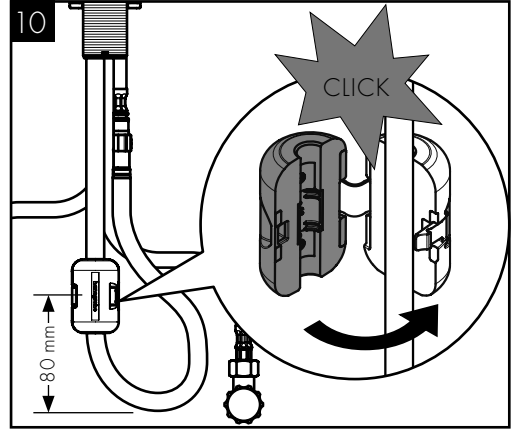
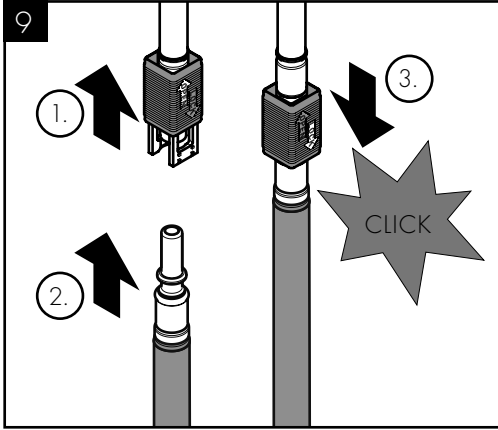


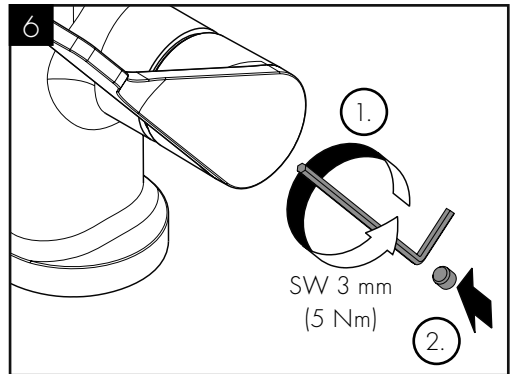
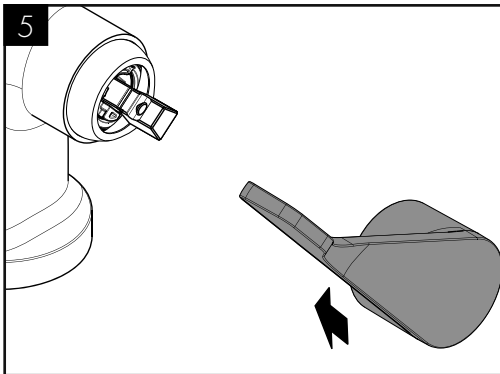
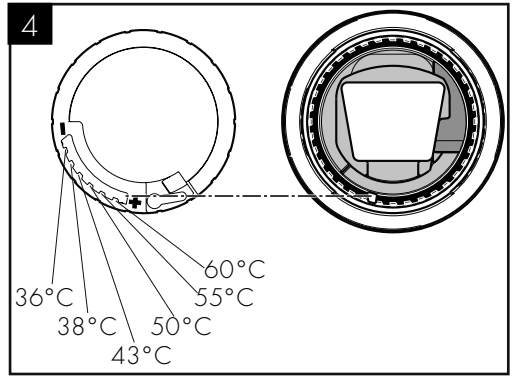
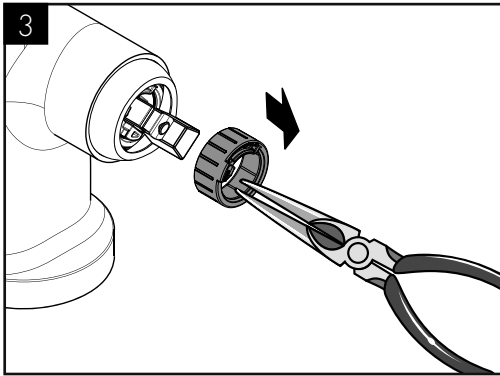
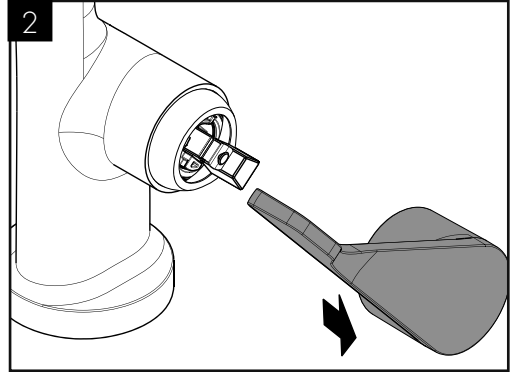
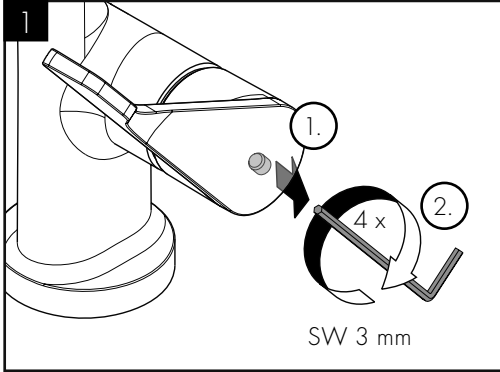
7



8



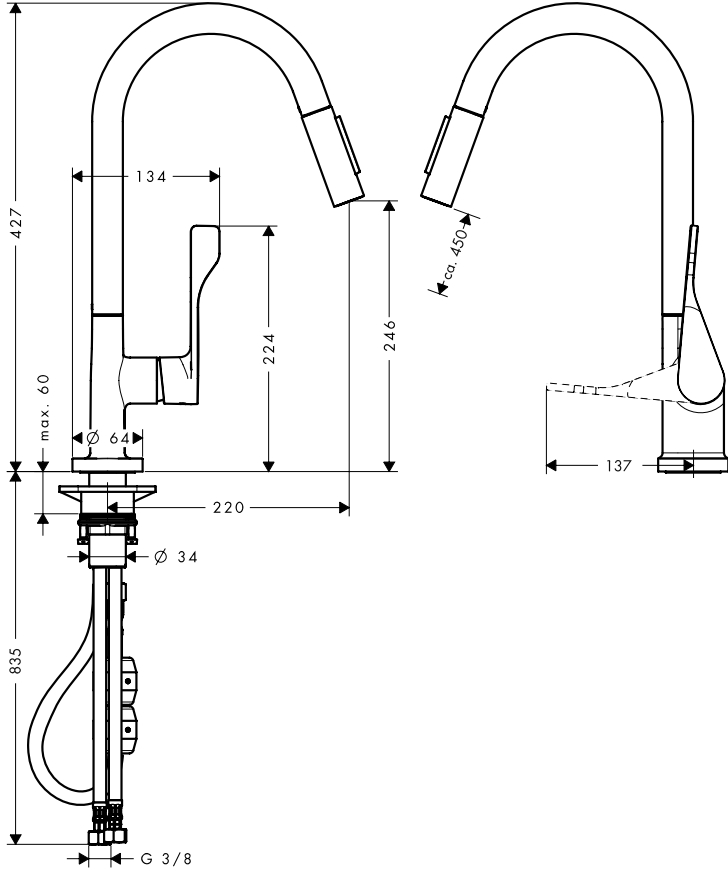




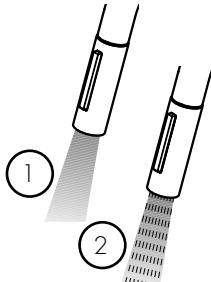
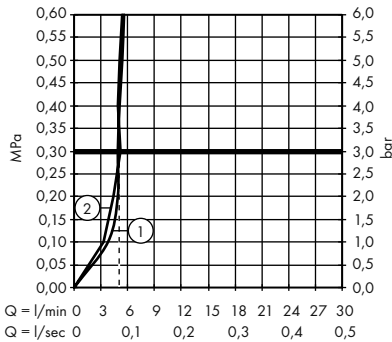


AXOR Citterio Eco
39832XXX

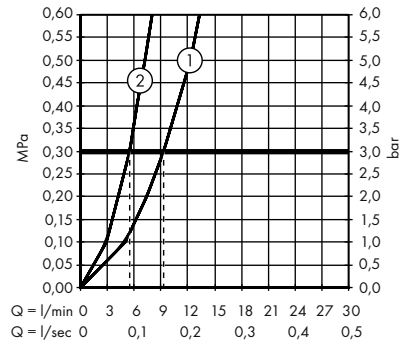
AXOR Citterio
39835XXX

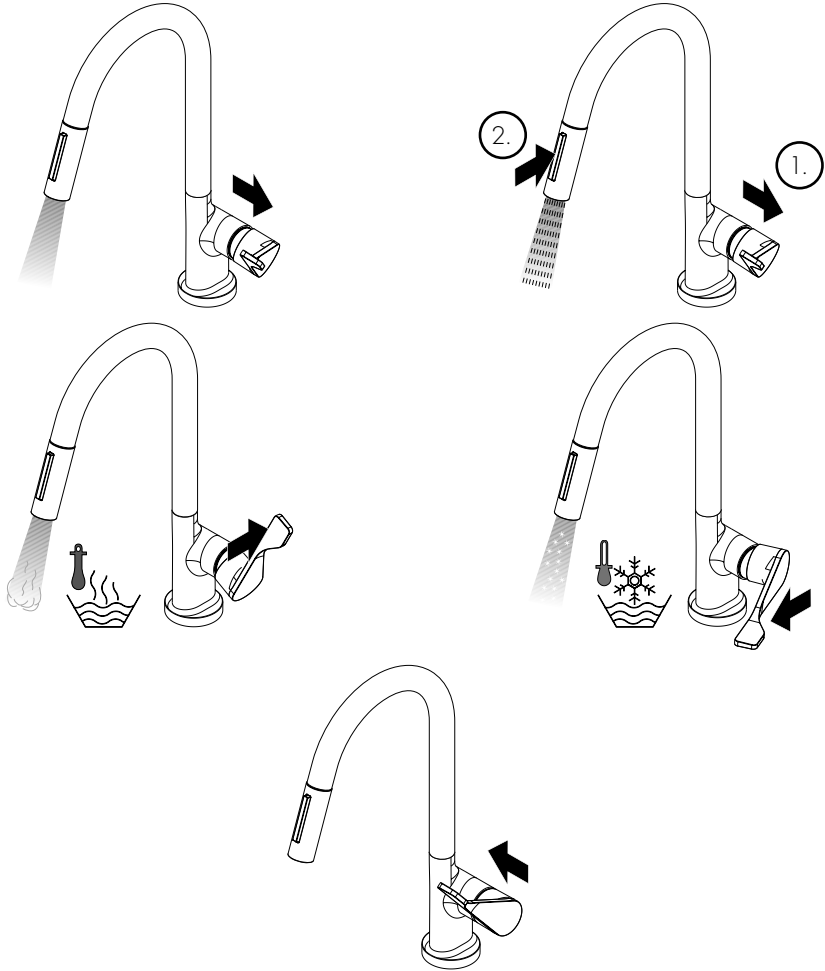


AXOR Citterio Eco
39832XXX



AXOR Citterio
39835XXX





P-IX

DVGW

SINTEF

NF



ETA

39832XXX

39835XXX

P-IX 18332/1BO

BT0603

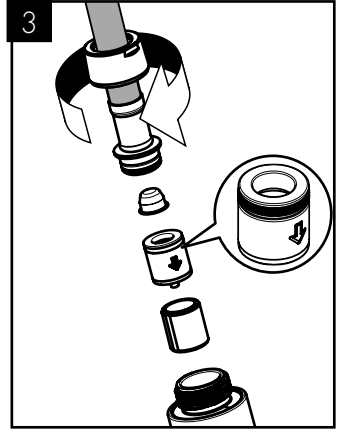
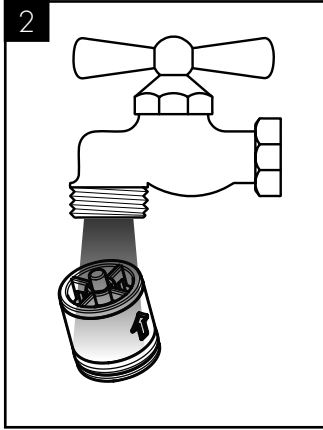
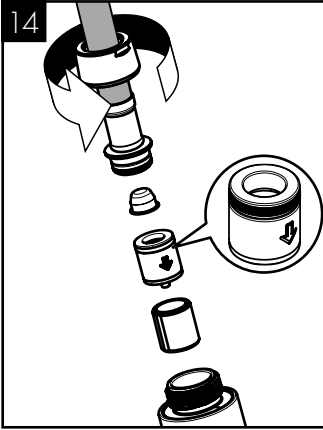
X

Hansgrohe SE

DIN 4109:1

P-IX 18332/1BO







XXX = Farbcodierung / Couleurs / Colors / Trattamento / Acabados / Kleuren / Overflade / Acabamentos / Kody kolorów /
 Kód povrchové úpravy / Farebné označenie / 颜色代码 / Цветная кодировка / Värnikoodaus / Färgkodning /
 Spalvos / Boje / Coduri de culori / Χρώματα / Barve / Värvid / Kräsu kodi / Oznake boja / Fargekode /
 Цветово кодиране / 仕上り色 / Kodimi me anë të ngjyrave / الألوان / Renkler / Színkódolás / צבעים

000 = Chrome

140 = Brushed Bronze

250 = Brushed Gold-Optic

300 = Polished Redgold

310 = Brushed Redgold

330 = Polished Black Chrome

340 = Brushed Black Chrome

670 = Matt Black

800 = Stainless Steel Optic

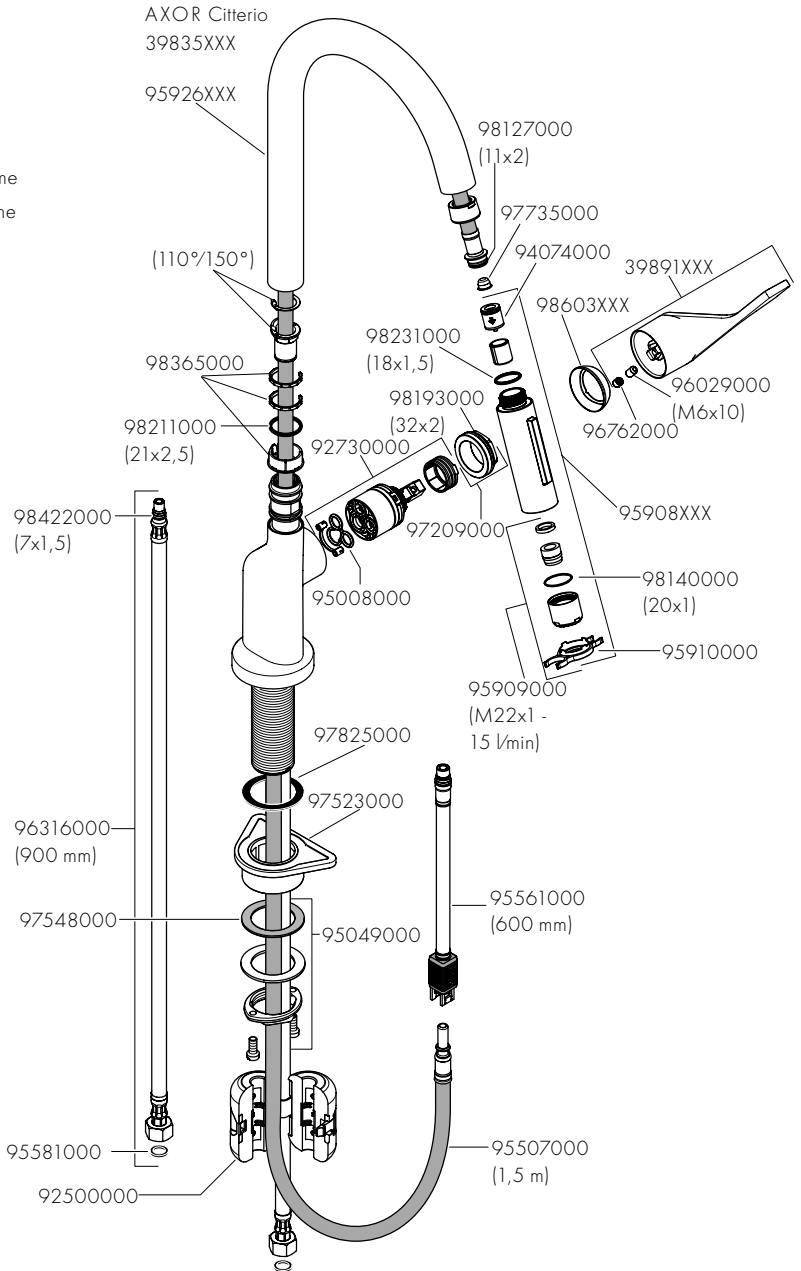
820 = Brushed Nickel

830 = Polished Nickel

930 = Polished Brass

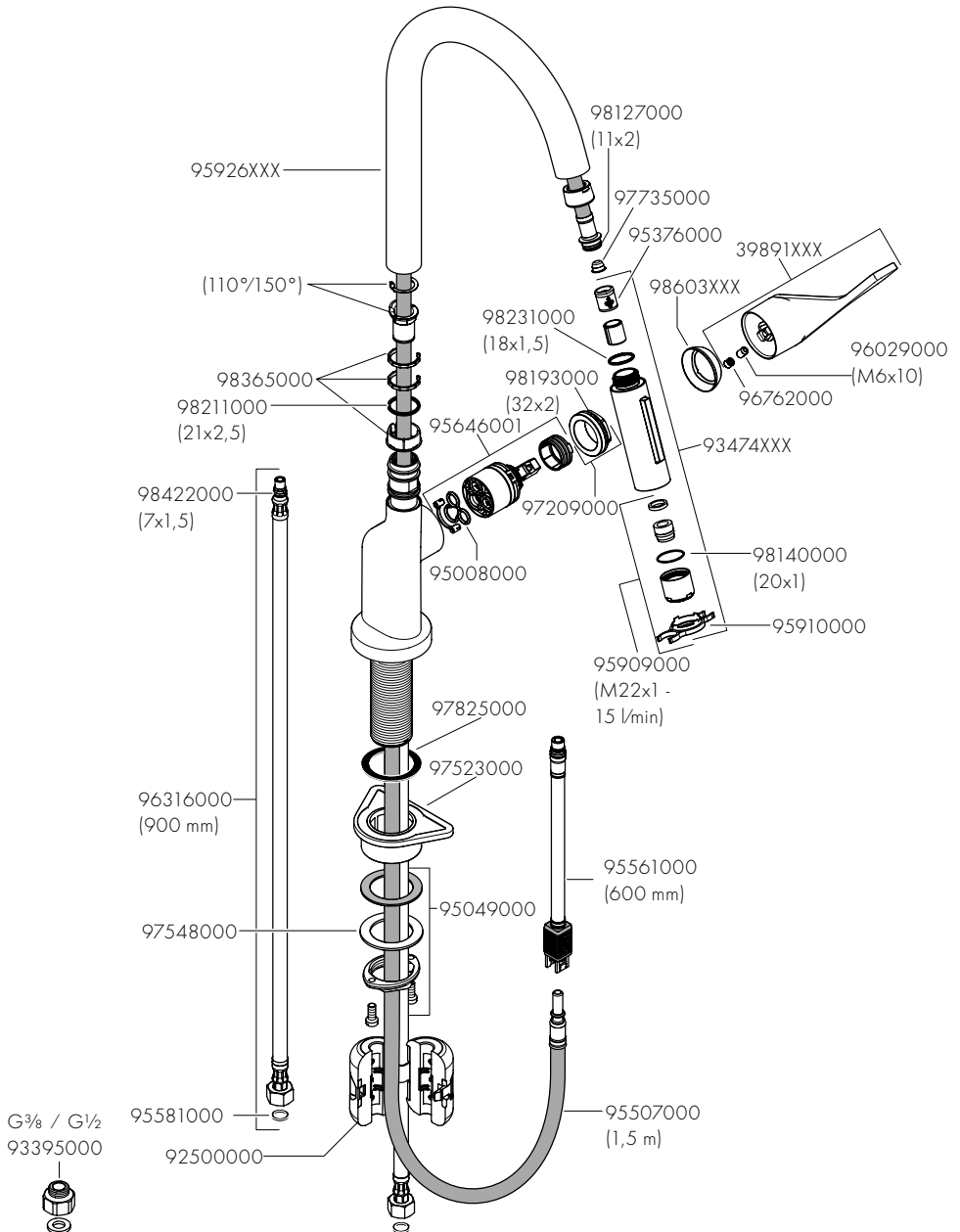
950 = Brushed Brass

990 = Polished Gold-Optic





AXOR Citterio Eco
39832XXX



AXOR

AXOR / Hansgrohe SE
Austraße 5-9
77761 Schiltach
Deutschland

info@axor-design.com
axor-design.com

09/2022
9.0588713