

## ⚠ SAFETY NOTES

- ⚠ Gloves should be worn during installation to prevent crushing and cutting injuries.
- ⚠ The hot and cold supplies must be of equal pressures.

## INSTALLATION INSTRUCTIONS

- / Prior to installation, inspect the product for transport damages. After it has been installed, no transport or surface damage will be honoured.
- / The pipes and the fixture must be installed, flushed and tested as per the applicable standards.
- / The plumbing codes applicable in the respective countries must be observed.
- / 3 9 8 4 2 XXX: The mixer can not used together with a continuous flow water heater.

## TECHNICAL DATA

Operating pressure:	max. 1 MPa
Recommended operating pressure:	0,1 - 0,5 MPa
Test pressure:	1,6 MPa (1 MPa = 10 bar = 147 PSI)
Hot water temperature:	max. 60°C
Thermal disinfection:	70°C / 4 min

The product is exclusively designed for drinking water!

## SYMBOL DESCRIPTION



Do not use silicone containing acetic acid!



ADJUSTMENT (see page 38)

To adjust the hot water limiter. Using a hot water limiter in combination with a continuous flow water heater is not recommended.



MAINTENANCE (see page 39)

The check valves must be checked regularly according to EN 806-5 in accordance with national or regional regulations (at least once a year).



DIMENSIONS (see page 40)



FLOW DIAGRAM (see page 40)



SPARE PARTS (see page 42)

SPECIAL ACCESSORIES  
(order as an extra)



/ Adapter (G<sup>3/8</sup> / G<sup>1/2</sup>)  
#93395000 (see page 42)



/ service tool #95910000 (see page 43)



CLEANING (see page 35)



OPERATION (see page 39)

/ Hansgrohe recommends not to use as drinking water the first half liter of water drawn in the morning or after a prolonged period of non-use.

/ Do not rotate the spout further than 360° or damage to the hose will result.



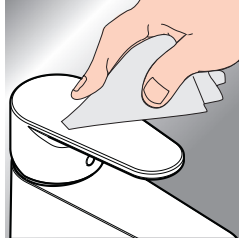
TEST CERTIFICATE (see page 39)

FAULT	CAUSE	REMEDY
/ Insufficient water	/ Aerator calcified, dirty	/ Clean aerator, replace as necessary
/ Mixer stiff	/ Cartridge defective, calcified	/ Exchange cartridge
/ Mixer dripping	/ Cartridge defective	/ Exchange cartridge
/ Water escaping at the threaded base	/ connection hoses not completely screwed into basic body	/ Tighten connection hoses by hand
	/ O-ring at the connection hose defective.	/ Exchange O-ring
/ Hot water temperature too low	/ Hot water limiter incorrectly set	/ Set hot water limiter



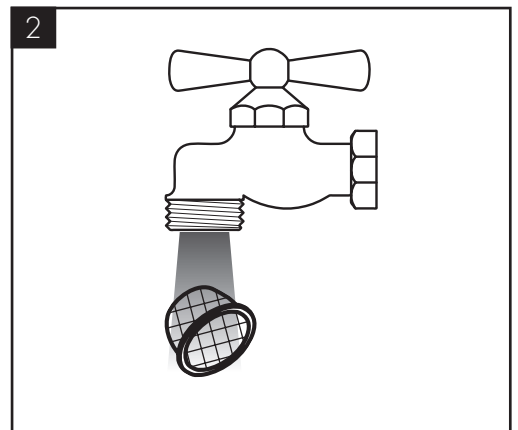
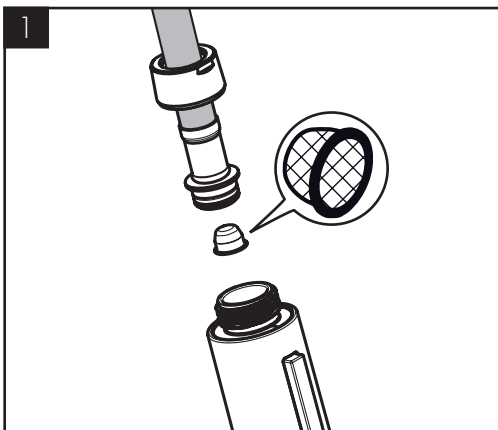


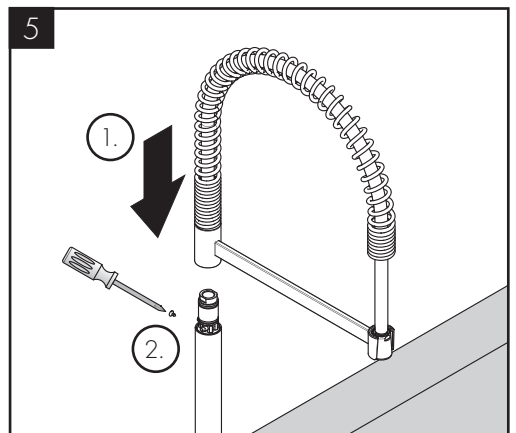
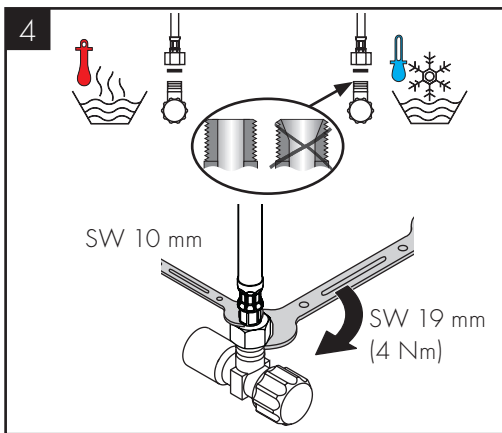
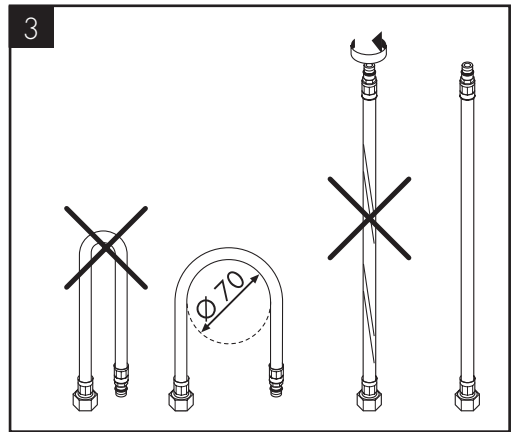
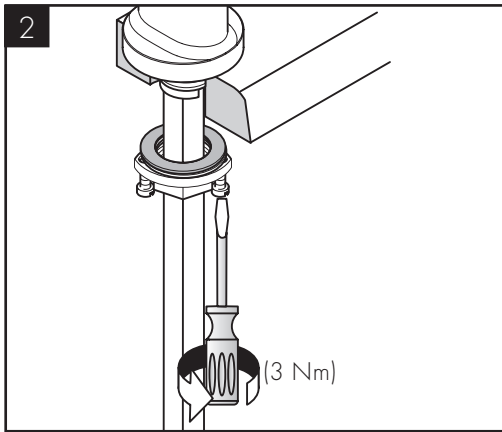
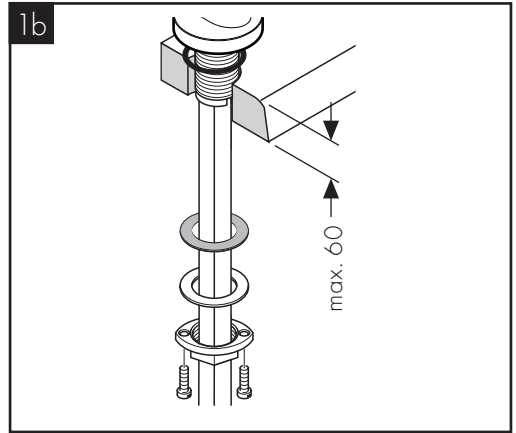
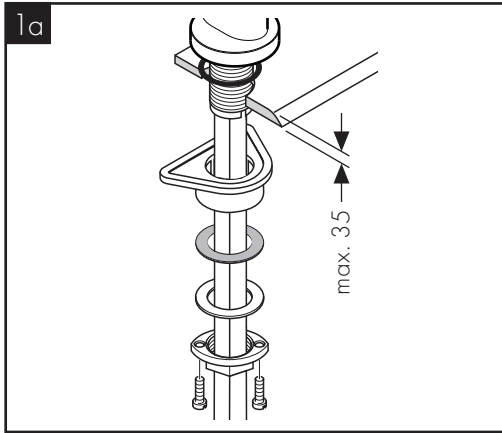
[www.axor-design.com/cleaning-recommendation](http://www.axor-design.com/cleaning-recommendation)

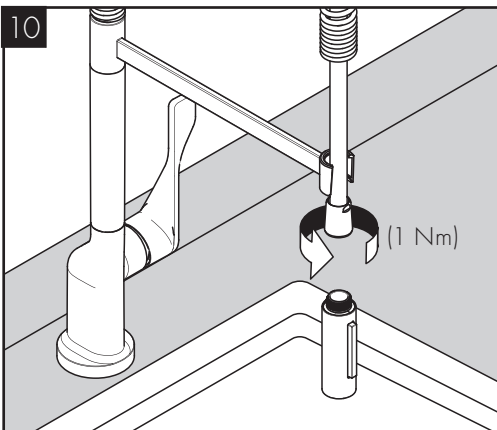
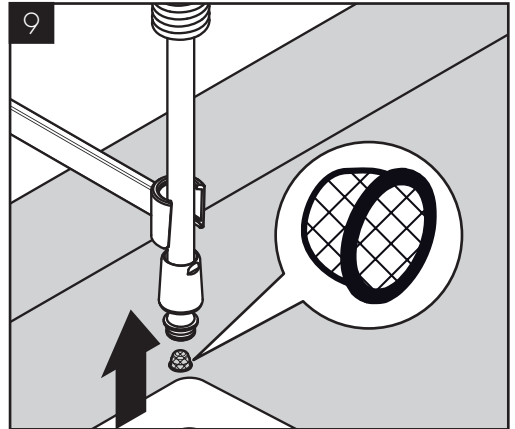
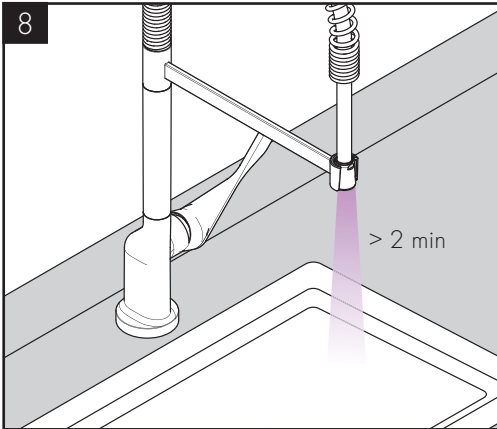
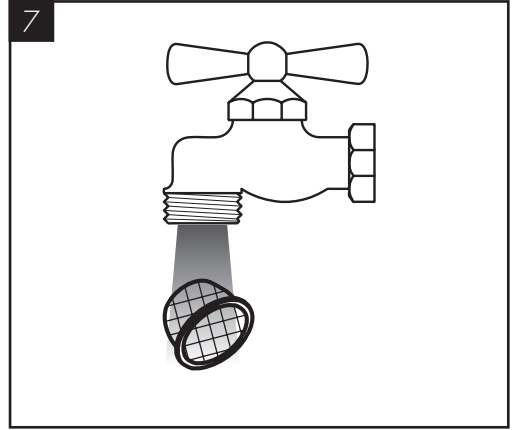
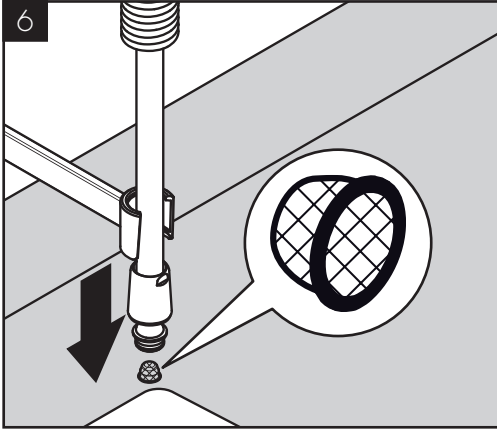


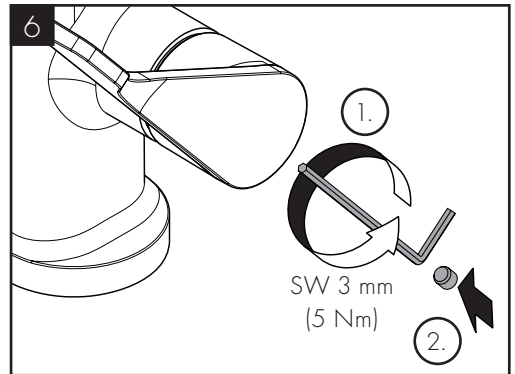
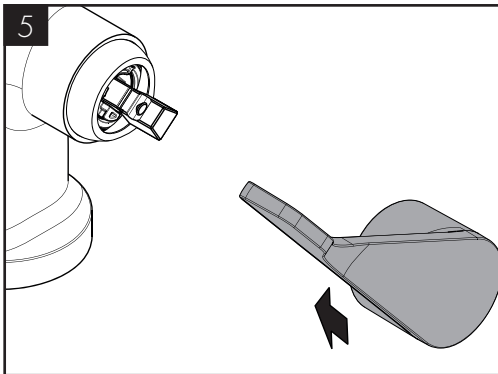
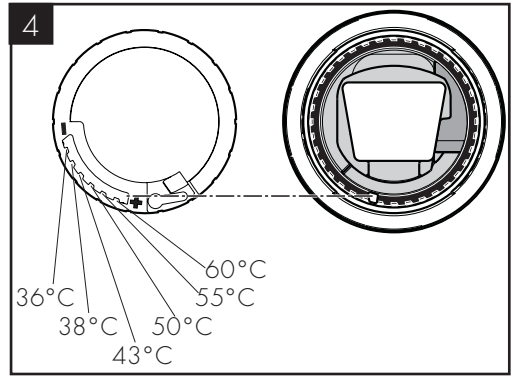
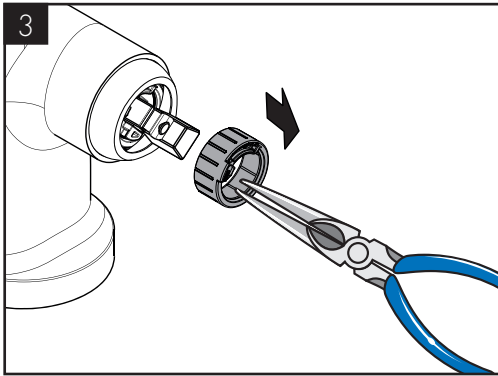
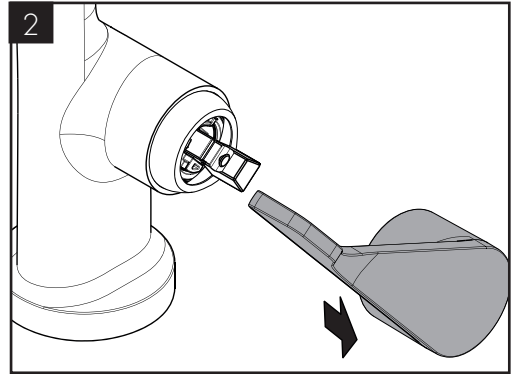
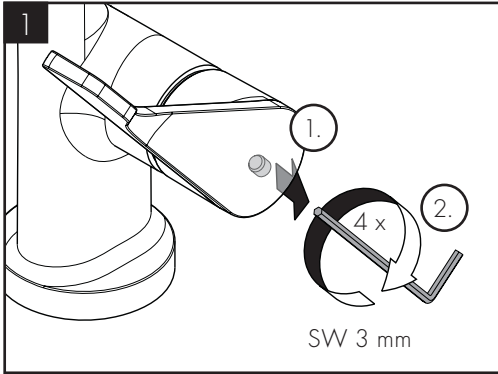
DE / Reinigungsempfehlung / Garantie / Kontakt  
 FR / Recommendation pour le nettoyage / Garanties / Contact  
 EN / Cleaning recommendation / Warranty / Contact  
 IT / Raccomandazione di pulizia / Garanzia / Contatto  
 ES / Recomendaciones para la limpieza / Garantía / Contacto  
 NL / Aanbevelingen inzake reiniging / Garantie / Contact  
 DK / Rengøringsvejledning / Garanti / Kontakt  
 PT / Recomendações de limpeza / Garantia / Contacto  
 PL / Zalecenie dotyczące pielęgnacji / Gwarancja / Kontakt  
 CS / Doporučení k čištění / Záruka / Kontakt  
 SK / Odporúčania pre čistenie / Záruka / Kontakt  
 ZH / 清洁指南 / 担保 / 接触  
 RU / Рекомендации по очистке / Гарантия / Контакты  
 FI / Puhdistussuositus / Takuu / Kosketus

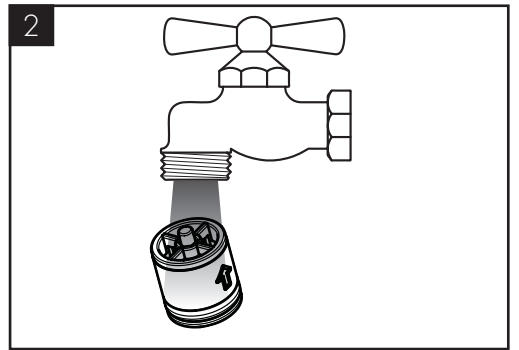
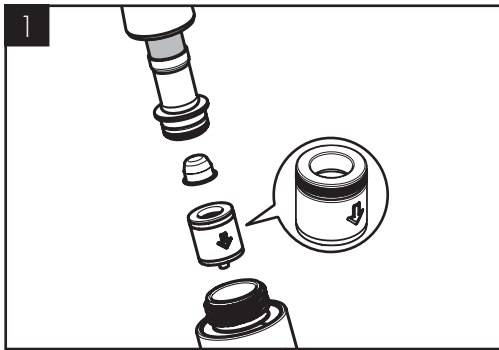
SV / Rengöringsrekommendationer / Garanti / Contacto  
 LT / Valymo rekomendacijos / Garantija / Kontaktai  
 HR / Preporuke za čišćenje / Garancija / Kontakt  
 RO / Recomandări pentru curățare / Garanție / Contact  
 EL / Σύσταση καθαρισμού / Εγγύηση / επαφή  
 SL / Priporočilo za čiščenje / Garancija / Kontakt  
 ET / Puhastussoovitused / Garanti / Kontakt  
 LV / Tīrīšanas ieteikumi / Garantija / Kontakti  
 SR / Preporuke za čišćenje / Garancija / Kontakt  
 NO / Anbefaling for rengjøring / Garanti / Kontakt  
 BG / Препоръка за почистване / Гаранция / Контакт  
 JP / お手入れの方法 / 保証について / ご連絡先  
 UA / Рекомендації з чищення / Гарантія / контакт  
 AR / توصيات التنظيف / الضمان / اتصال  
 TR / Temizleme önerisi / Garanti / Temas  
 HU / Tisztítási tanácsok / Garancia / érintkezés  
 HE / המלצות לניקוי / אחריות / איש קשר











P-IX

DVGW SINTEF NF



39840XXX P-IX 18331/BO BT0603

X

39842XXX

Hansgrohe SE

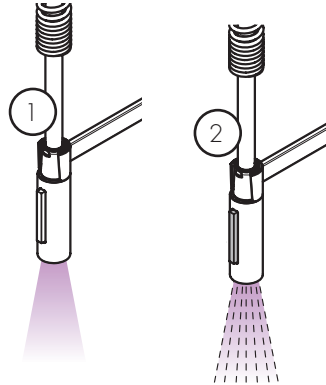
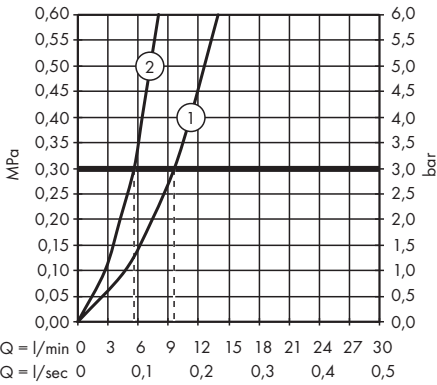
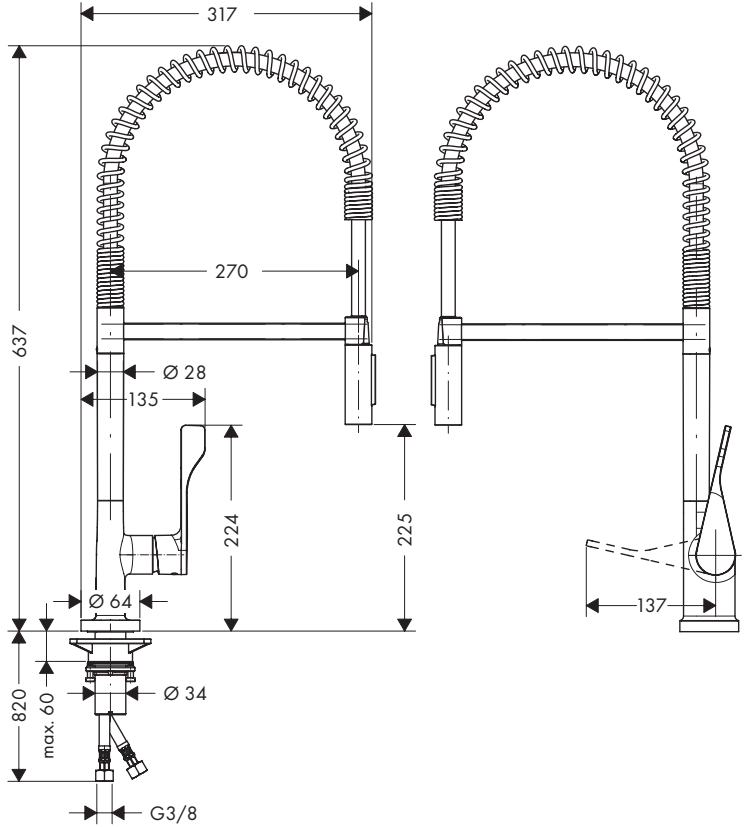
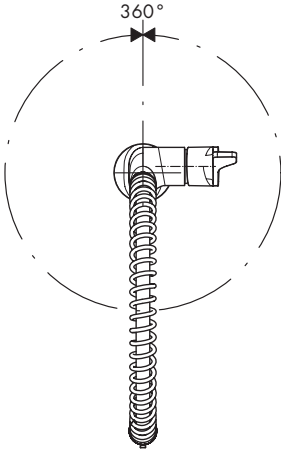
DIN 4109-1

P-IX 18331/BO



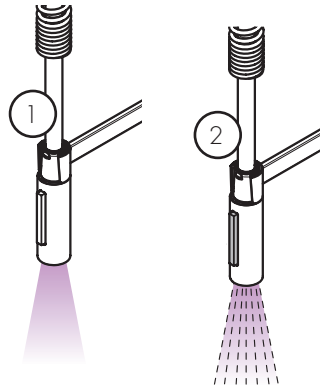
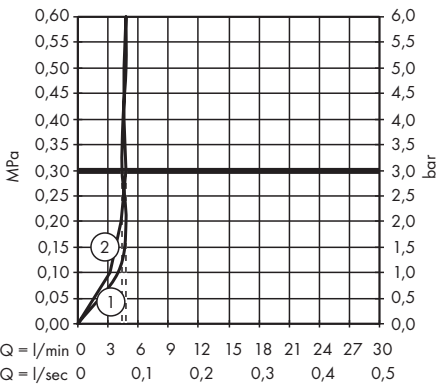
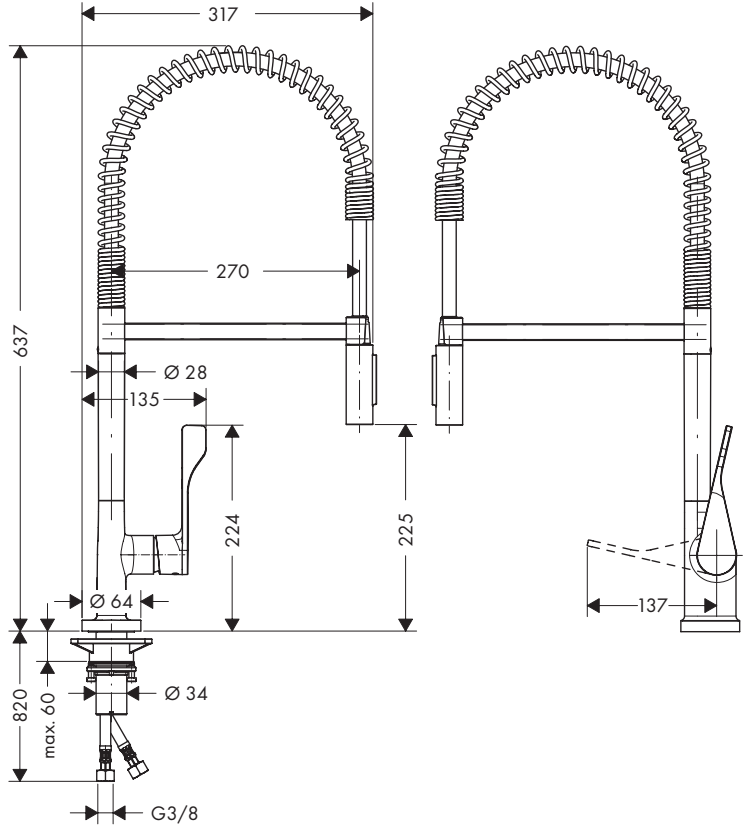
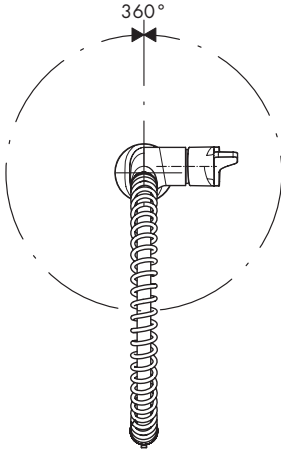


AXOR Citterio Semi-Pro  
39840XXX





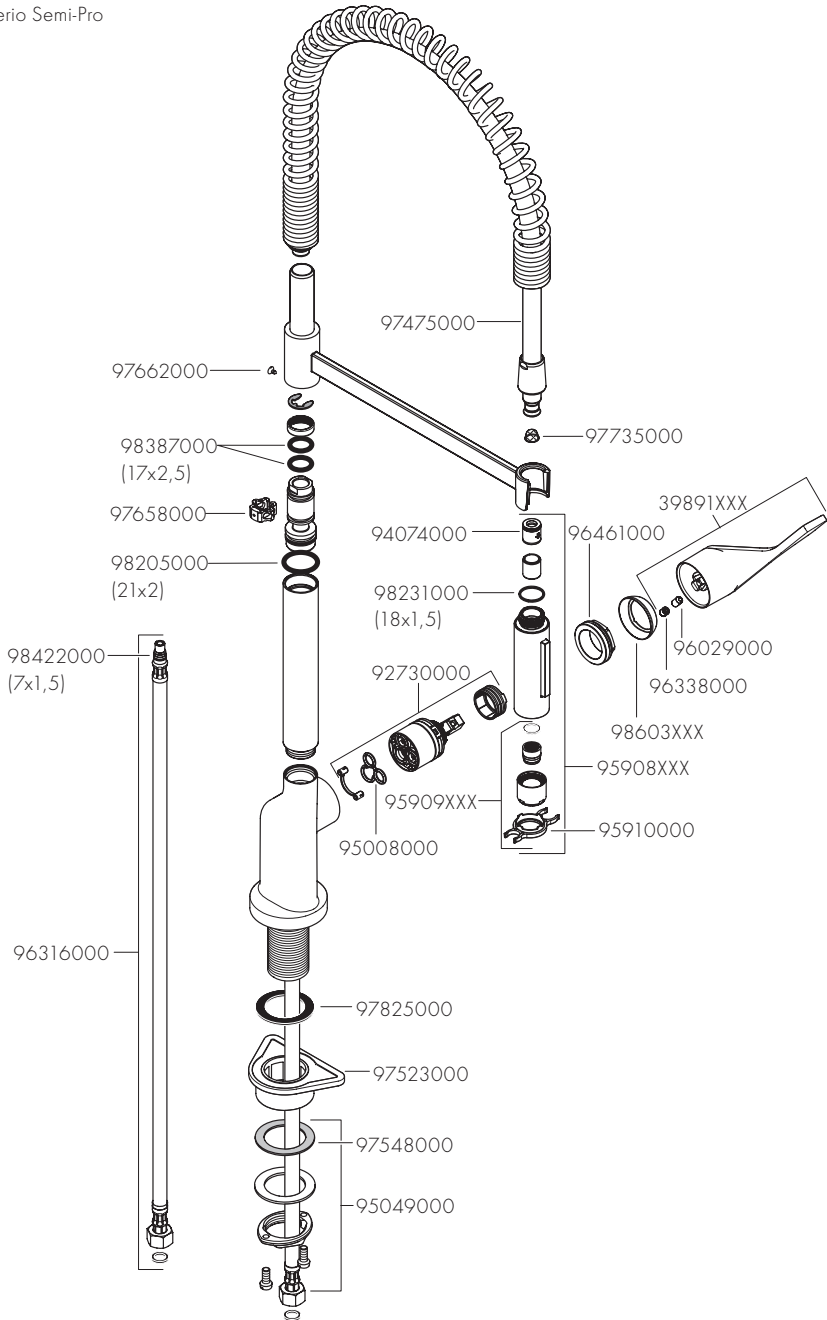
AXOR Citterio Semi-Pro Eco  
39842XXX





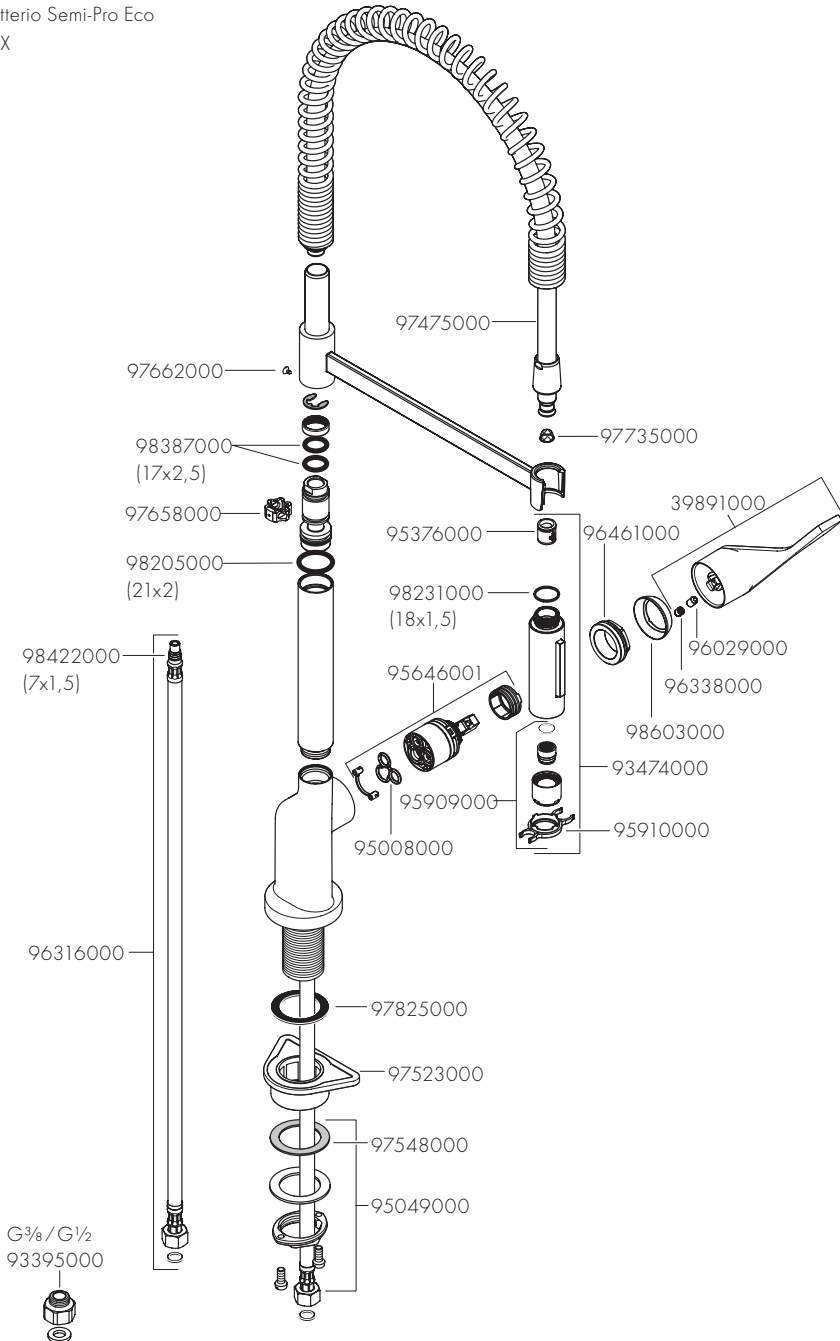


AXOR Citterio Semi-Pro  
39840XXX





AXOR Citterio Semi-Pro Eco  
39842XXX



# AXOR

AXOR / Hansgrohe SE  
Austraße 5-9  
77761 Schiltach  
Deutschland

[info@axor-design.com](mailto:info@axor-design.com)  
[axor-design.com](http://axor-design.com)

09/2023  
9.05883.06