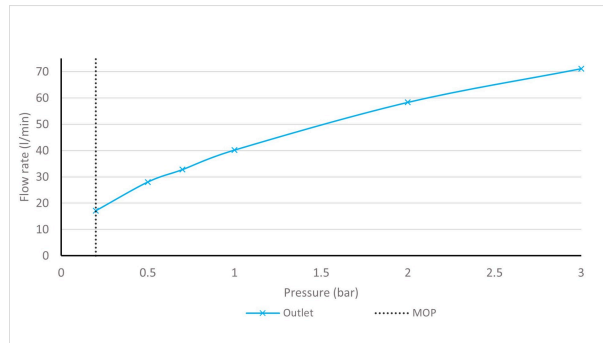


# SPECIFICATION SHEET

COLLECTION: CAMEO  
PRODUCT CODE: CAM-137-CP



## TAP TYPE

Basin Mixer

## HANDLES

2 Handle

## WITH WATER FLOW STRAIGHTENER

No

## CONNECTIONS / FITTINGS

2 x 3/4" 48.5mm male threaded connections

## SPARE PARTS

cold ceramic cartridge C-306-RTC, hot ceramic cartridge C-306-LTC

## DECK HOLE DRILL DIAMETER

28-30mm

## STYLE

Square

## HOLES

2 Hole

## MOUNTING

Deck Mounted

tel: 01934 744466  
email: sales@vado.com  
www.vado.com

WHERE INSPIRATION FLOWS  
TAPS | SHOWERS | ACCESSORIES



# SPECIFICATION SHEET

COLLECTION: CAMEO  
PRODUCT CODE: CAM-137-CP

## PLUMBING SYSTEM SUITABILITY

Gravity System

## COLLECTION NAME

Cameo

## FINISH

Chrome

## MINIMUM OPERATING PRESSURE

0.2 Bar LP

## GUARANTEE

15 Year Guarantee

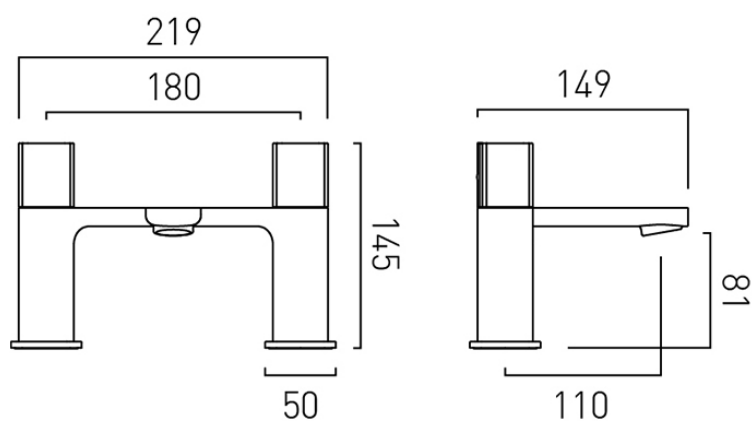
tel: 01934 744466  
email: [sales@vado.com](mailto:sales@vado.com)  
[www.vado.com](http://www.vado.com)

WHERE INSPIRATION FLOWS  
TAPS | SHOWERS | ACCESSORIES



# TECHNICAL DRAWING

COLLECTION: CAMEO  
PRODUCT CODE: CAM-137-CP



tel: 01934 744466  
email: sales@vado.com  
www.vado.com

WHERE INSPIRATION FLOWS  
TAPS | SHOWERS | ACCESSORIES

