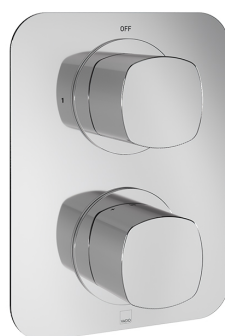
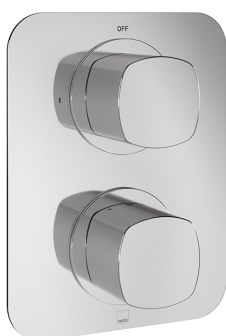


SPECIFICATION SHEET

COLLECTION: CAMEO
PRODUCT CODE: CAM-148D-CP



SHOWER TYPE

Shower Valve

VALVE TYPE

Concealed

STYLE

Square Handles

ORIENTATION

Horizontal

NUMBER OF OUTLETS

1 Outlet

HANDLES

2 Handle

WITH ALL-FLOW FUNCTION

No

WITH INTEGRATED DIVERTER

No

COMPATIBLE WITH STUDFAST

No

tel: 01934 744466
email: sales@vado.com
www.vado.com

WHERE INSPIRATION FLOWS
TAPS | SHOWERS | ACCESSORIES



SPECIFICATION SHEET

COLLECTION: CAMEO
PRODUCT CODE: CAM-148D-CP

WITH BLEED VALVE FOR SYSTEM FLUSH ON INSTALLATION

Yes

WITH SHOWER KIT

No

OPTIMUM INSTALLATION DEPTH

82mm

INCLUDES MORTAR / TILE GUARD

No

COMPATIBLE WITH EASY-FIX BRACKETS

No

WITH THERMOSTATIC TECHNOLOGY

Yes

MIN-MAX WALL MOUNT

70-95mm

SPARE PARTS

thermostatic cartridge V-704-34S, flow cartridge C-301-RTC

NOTES

2 x 3/4" female inlets

1 x 3/4" female outlet

MOUNTING

Wall Mounted

PLUMBING SYSTEM SUITABILITY

Gravity System, Combination Boiler

COLLECTION NAME

Cameo

SPECIFICATION SHEET

COLLECTION: CAMEO
PRODUCT CODE: CAM-148D-CP

FINISH

Chrome

MINIMUM OPERATING PRESSURE

0.2 Bar LP (Shower) / 1.0 Bar MP (Bath)

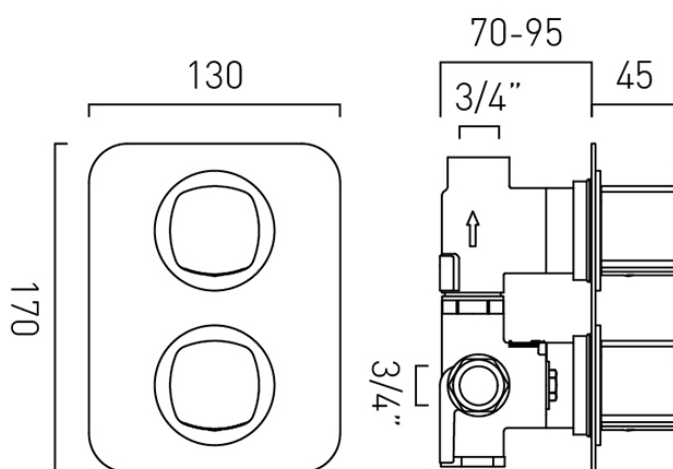
GUARANTEE

15 Year Guarantee



TECHNICAL DRAWING

COLLECTION: CAMEO
PRODUCT CODE: CAM-148D-CP



tel: 01934 744466
email: sales@vado.com
www.vado.com

WHERE INSPIRATION FLOWS
TAPS | SHOWERS | ACCESSORIES

