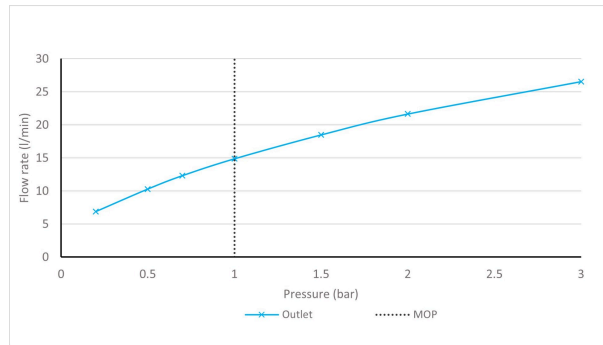
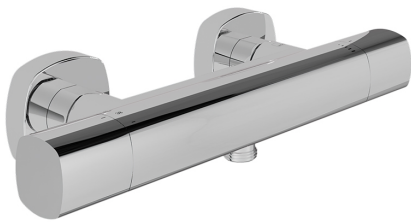


# SPECIFICATION SHEET

COLLECTION: CAMEO  
PRODUCT CODE: CAM-149T-CP



## SHOWER TYPE

Shower Valve

## VALVE TYPE

Exposed

## STYLE

Square

## ORIENTATION

Horizontal

## NUMBER OF OUTLETS

1 Outlet

## HANDLES

2 Handle

## WITH ALL-FLOW FUNCTION

No

## WITH INTEGRATED DIVERTER

No

## COMPATIBLE WITH STUDFAST

No

tel: 01934 744466  
email: sales@vado.com  
www.vado.com

WHERE INSPIRATION FLOWS  
TAPS | SHOWERS | ACCESSORIES



# SPECIFICATION SHEET

COLLECTION: CAMEO  
PRODUCT CODE: CAM-149T-CP

## WITH BLEED VALVE FOR SYSTEM FLUSH ON INSTALLATION

No

## WITH SHOWER KIT

No

## INCLUDES MORTAR / TILE GUARD

No

## COMPATIBLE WITH EASY-FIX BRACKETS

No

## WITH THERMOSTATIC TECHNOLOGY

Yes

## CONNECTIONS / FITTINGS

3/4" easy-fit brackets included

## SPARE PARTS

thermostatic cartridge V-704-34S, flow cartridge C-303-RTC

## MOUNTING

Wall Mounted

## PLUMBING SYSTEM SUITABILITY

Combination Boiler

## COLLECTION NAME

Cameo

## FINISH

Chrome

## MINIMUM OPERATING PRESSURE

1.0 Bar MP

# SPECIFICATION SHEET

COLLECTION: CAMEO  
PRODUCT CODE: CAM-149T-CP

GUARANTEE  
15 Year Guarantee

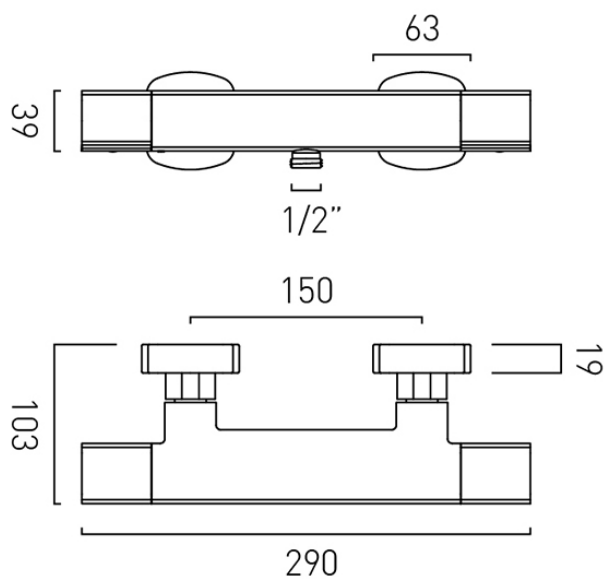
tel: 01934 744466  
email: [sales@vado.com](mailto:sales@vado.com)  
[www.vado.com](http://www.vado.com)

WHERE INSPIRATION FLOWS  
TAPS | SHOWERS | ACCESSORIES



# TECHNICAL DRAWING

COLLECTION: CAMEO  
PRODUCT CODE: CAM-149T-CP



tel: 01934 744466  
email: sales@vado.com  
www.vado.com

WHERE INSPIRATION FLOWS  
TAPS | SHOWERS | ACCESSORIES

