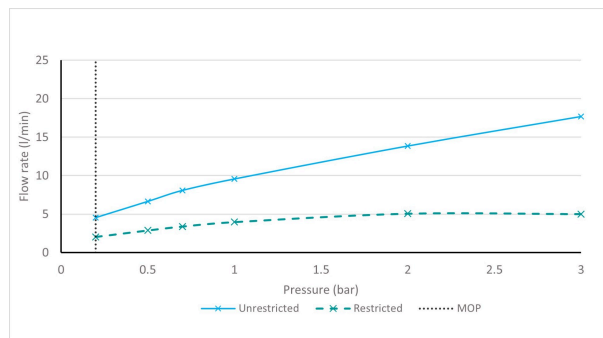
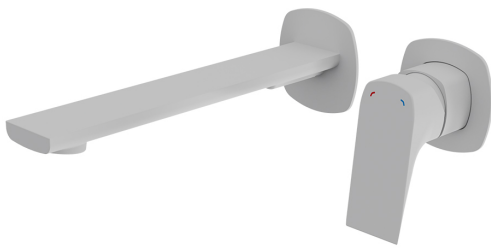


SPECIFICATION SHEET

COLLECTION: CAMEO

PRODUCT CODE: CAM-209S-LP-MW



TAP TYPE

Basin Mixer

COLLECTION NAME

Cameo

FINISH

Matt White

MINIMUM OPERATING PRESSURE

0.2 Bar LP

GUARANTEE

10 Year Guarantee

HANDLES

Single Lever

MIN-MAX WALL MOUNT

53-73mm

WITH ECOTURN COLD START TECHNOLOGY

No

WITH WATER FLOW STRAIGHTENER

Yes

tel: 01934 744466
email: sales@vado.com
www.vado.com

WHERE INSPIRATION FLOWS
TAPS | SHOWERS | ACCESSORIES



SPECIFICATION SHEET

COLLECTION: CAMEO

PRODUCT CODE: CAM-209S-LP-MW

WITH WATER FLOW AERATOR

No

CONNECTIONS / FITTINGS

2 x 1/2" inlets

SPARE PARTS

ceramic cartridge C-002-N30

WALL HOLE DRILL DIAMETER

spout 30-60mm handle 50-60mm

WASTE

None (Smooth Bodied)

STYLE

Square

HOLES

2 Hole

MOUNTING

Wall Mounted

PLUMBING SYSTEM SUITABILITY

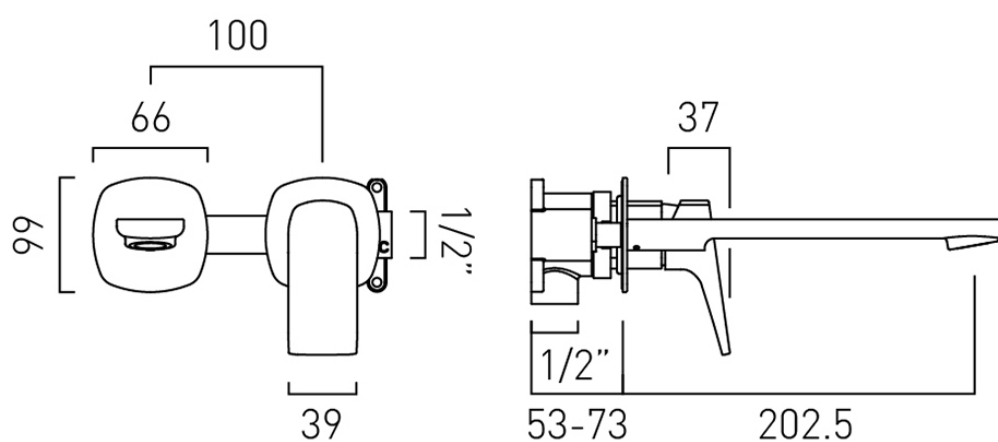
Gravity System



TECHNICAL DRAWING

COLLECTION: CAMEO

PRODUCT CODE: CAM-209S-LP-MW



tel: 01934 744466
email: sales@vado.com
www.vado.com

WHERE INSPIRATION FLOWS
TAPS | SHOWERS | ACCESSORIES

