

# SPECIFICATION SHEET

COLLECTION: CAMEO  
PRODUCT CODE: CAM-M6I-SQ-SC



## COLLECTION NAME

Cameo

## FINISH

Chrome

## GUARANTEE

6 Year Guarantee

## FURNITURE TYPE

Mirror

## MIRROR SIZE

600mm

## TURN OFF TIMER

30 minute auto timer

## ADJUSTABLE LIGHTING

Adjustable light intensity and colour from bright to warm white

## MOUNTING

Wall Mounted

## NOTES

IP44 Rating

tel: 01934 744466  
email: sales@vado.com  
www.vado.com

WHERE INSPIRATION FLOWS  
TAPS | SHOWERS | ACCESSORIES



# SPECIFICATION SHEET

COLLECTION: CAMEO

PRODUCT CODE: CAM-M6I-SQ-SC

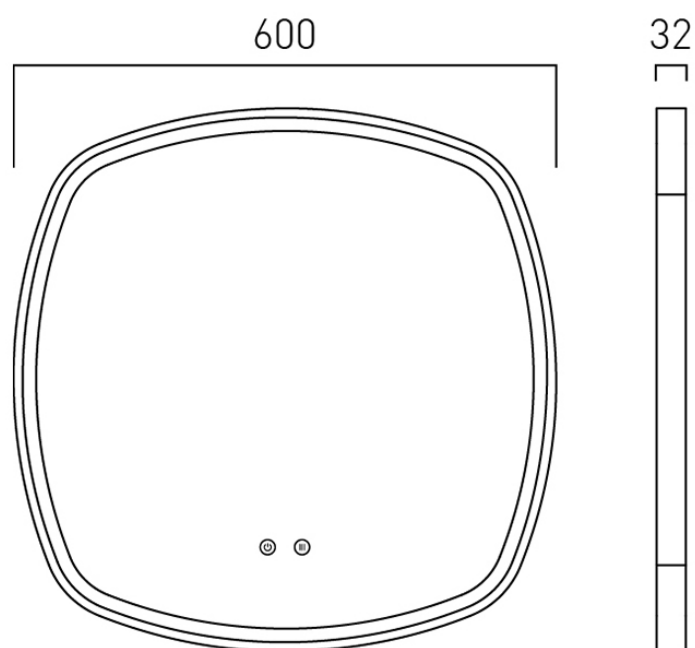
tel: 01934 744466  
email: [sales@vado.com](mailto:sales@vado.com)  
[www.vado.com](http://www.vado.com)

WHERE INSPIRATION FLOWS  
TAPS | SHOWERS | ACCESSORIES



# TECHNICAL DRAWING

COLLECTION: CAMEO  
PRODUCT CODE: CAM-M6I-SQ-SC



tel: 01934 744466  
email: sales@vado.com  
www.vado.com

WHERE INSPIRATION FLOWS  
TAPS | SHOWERS | ACCESSORIES

