

SPECIFICATION SHEET

COLLECTION: MUSE

PRODUCT CODE: MUS-082B-WHT-CP



ACCESSORY TYPE

Soap Dish and Dispenser

STYLE

Square

COLLECTION NAME

Muse

FINISH

Chrome

GUARANTEE

15 Year Guarantee

MOUNTING

Wall Mounted

tel: 01934 744466
email: sales@vado.com
www.vado.com

WHERE INSPIRATION FLOWS
TAPS | SHOWERS | ACCESSORIES



SPECIFICATION SHEET

COLLECTION: MUSE

PRODUCT CODE: MUS-082B-WHT-CP

tel: 01934 744466
email: sales@vado.com
www.vado.com

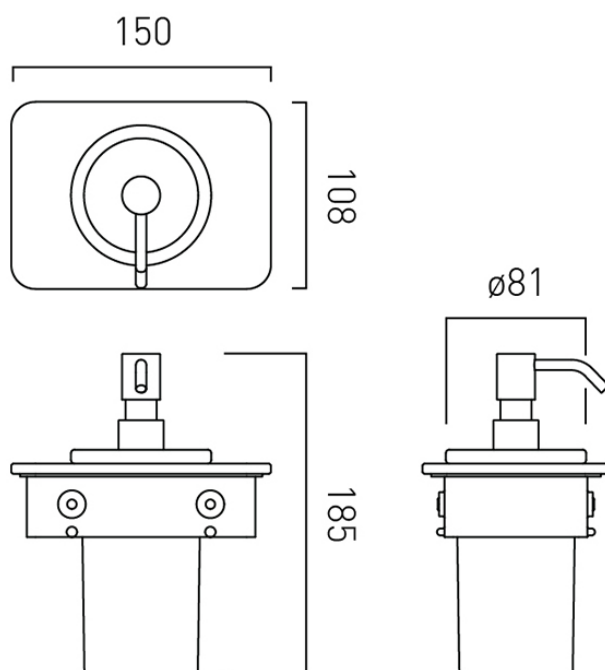
WHERE INSPIRATION FLOWS
TAPS | SHOWERS | ACCESSORIES



TECHNICAL DRAWING

COLLECTION: MUSE

PRODUCT CODE: MUS-082B-WHT-CP



tel: 01934 744466
email: sales@vado.com
www.vado.com

WHERE INSPIRATION FLOWS
TAPS | SHOWERS | ACCESSORIES

