

HiB

MAKING
BATHROOMS
BEAUTIFUL

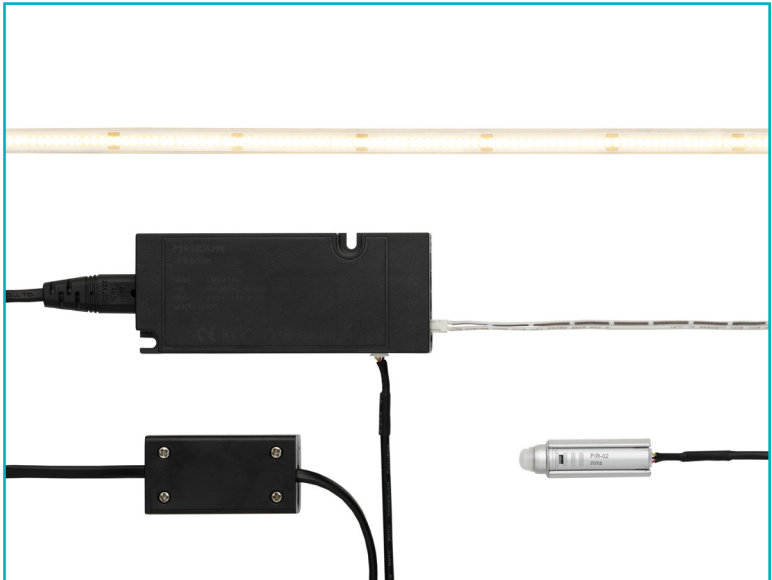
FURNITURE UNDERLIGHT WITH PIR SENSOR

120cm Cool White: Art No. NOWBLPIR120CLW

120cm Warm White: Art No. NOWBLPIR120WWH

200cm Cool White: Art No. NOWBLPIR200CLW

200cm Warm White: Art No. NOWBLPIR200WWH



Fitting Instructions

Thank you for purchasing this HiB Novum product.

Please read through these instructions carefully and refer back to them during installation to ensure that your product is fitted safely and that it retains its high quality finish.

FI#04 012 R220601 Ver No. 1.0 June 2022

Electrical Safety Information

HiB recommends that all electrical bathroom products must be installed in accordance with current building and wiring regulations.

If in doubt please consult an electrician.

Before drilling ensure that there are no hidden cables or pipes in the wall.

Warnings for Safe Use

- This product is intended for Domestic Use only.
- Please read the instructions and warnings carefully before installing the product and ensure this document is kept with the product for future reference, to maximise product longevity and in the interest of safety.
- If you give the product to another person, please give them this manual as well.
- If any modification is made it will invalidate the warranty and may render the product unsafe.
- It is not suitable for use in saunas, steam rooms and shower cubicles.
- Appropriate circuit protection should be available for the product.
- When drilling use appropriate eye protection.
- The use of a Residual Current Device (RCD) is advised for any power tools used during the installation of this product.
- Beware of hidden cables or pipes.
- Take care if drilling on tiled surfaces in case the drill slips.
- Always switch off the electrical supply to the product at the mains during installation and maintenance.
- It is recommended that this product is installed by a person who is able to meet the level of competence required in order to comply with relevant regulations. If in doubt consult a qualified trades person.
- Do not enter IP44 box unless competent and item is isolated from mains.
- Do not use if any electrical wires appear damaged or degraded.
- Avoid leaving excessive standing and surface water on the product for prolonged periods of time.
- Dispose of packaging in accordance with local authority regulations.
- At end of life dispose of item according to local authority regulations.

Electrical Information

This product contains a light source of energy efficiency class **F**

Zonal Diagram



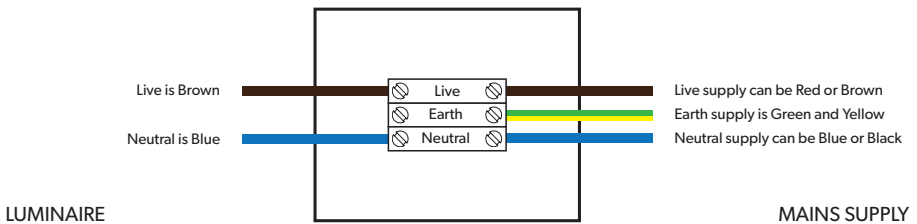
All installations must comply with guidelines which are based on a zonal concept and must be followed to ensure the safe installation of electrical appliances in the bathroom.

These regulations apply to domestic installations only. Installations must be made in accordance with the current IEE wiring regulations and relevant building regulations.

The LED strip is IP44 rated and is suitable for installation in zones **2** & **Outside Zone**

The LED driver is IP20 rated and must be enclosed in a suitable IP44 enclosure if installed in zone **2**

Wiring diagram



What's in the Box?

- COB LED strip
- LED driver (Plug & Play)
- PIR sensor with holder (with x2 installation screws)
- Terminal block
- LED strip end cap

Tools Required



Pencil



Drill



Drill bit



Screwdriver

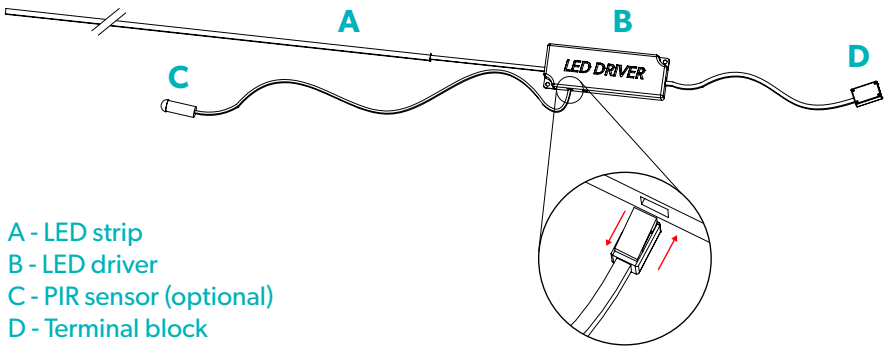


Silicone



Scissors
(optional)

Figures



- A - LED strip
- B - LED driver
- C - PIR sensor (optional)
- D - Terminal block

Fig. 1 - LED underlight components

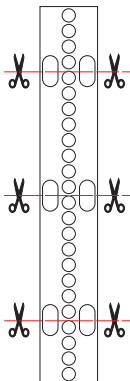


Fig. 2 - LED strip cuttable lines

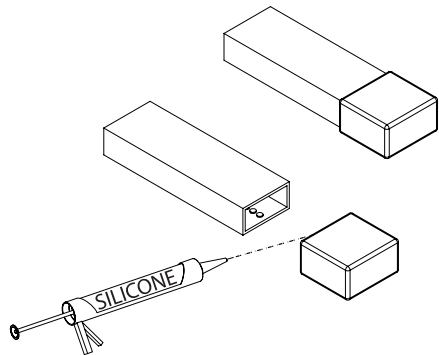


Fig. 3 - LED strip end cap installation

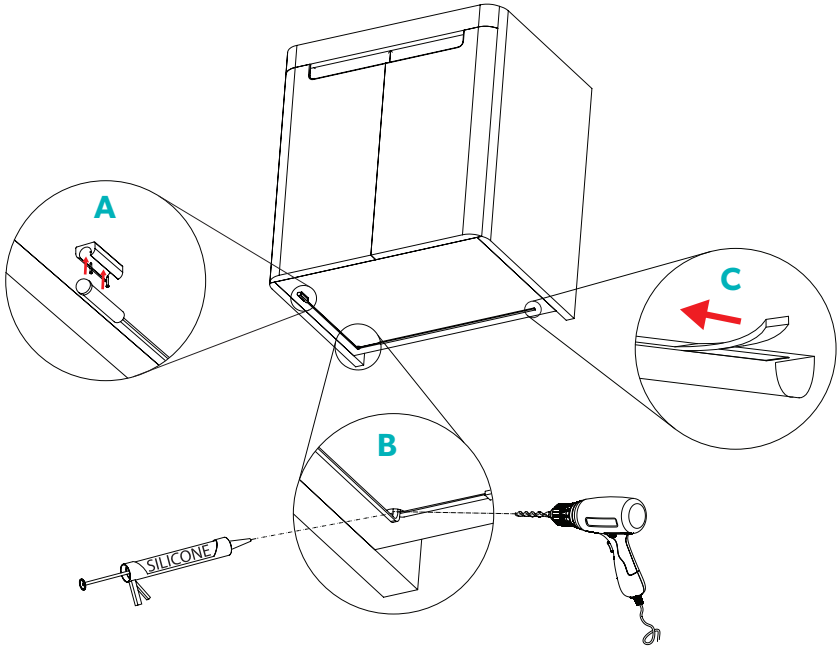


Fig. 4 - Installation on wall hung furniture

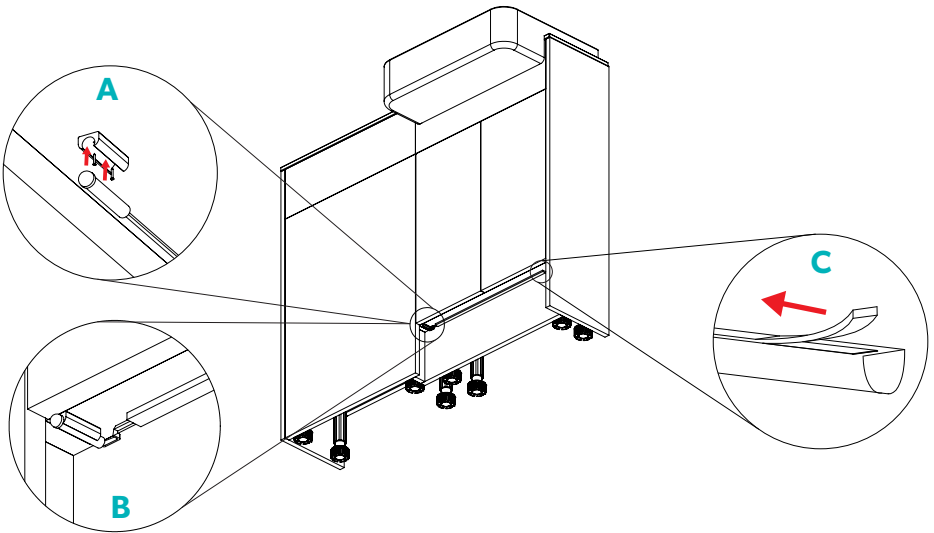


Fig. 5 - Installation on floor standing furniture

If you are not intending to install this product with the included PIR sensor, an independent method of switching will need to be provided.

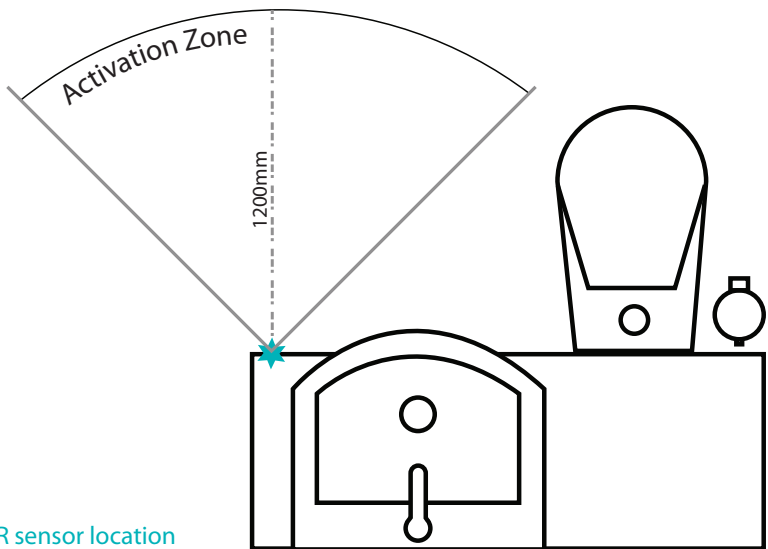
Please ensure that the domestic mains electricity circuit to which the item is being connected, is isolated before connection.

HiB recommends installing the LED Driver inside an IP44 rated enclosure. Any cuts made to furniture units must be sealed with silicone or polyurethane sealant.

1. Ensure that the furniture unit(s) is fitted correctly in place. Ensure all components are present prior to installation.
2. Plan position of the lighting components.
3. Remove the LED strip connector from the LED driver by pushing down on the connector attached to the LED driver, *see Fig. 1B*.
4. If necessary, cut the LED strip to the appropriate length using a sharp pair of scissors. Cut the LED strip along the copper connections, *see Fig. 2*.
5. If the LED strip has been cut to length, take the spare end cap provided and silicone onto the cut end of the LED strip to maintain IP44 rating, *see Fig. 3*.
6. Locate where the LED strip will be applied. Ensure the position of the lighting components allow the feed of the cable to reconnect to the LED driver. For wall hung furniture installations, a small hole may need to be drilled in the underside of the carcass for the cable to feed through, *see Fig 4B*.
For floor standing installations, the cable can be routed behind the plinth, a small cut may need to be made in the top edge of the plinth to allow for this, see Fig 5B.
7. To secure the LED strip to the furniture, remove the film from the self adhesive tape (*see Fig. 4C & 5C*) and *press into place*. Attach LED driver in IP44 box in a suitable location.
8. Reconnect the LED strip to the LED driver.
9. Open the terminal block, *see Fig. 1D*, and make the electrical connection between power supply and the LED driver, as per the wiring diagram, *see page 3*. When correctly wired, reseal the terminal block.
10. When the connection has been correctly made and insulated, switch the main power supply back on.

PIR sensor installation

1. Remove the PIR sensor connector from the LED driver by pushing down on the connector attached to the LED driver, *see Fig. 1B*.
2. Plan location of the PIR sensor and feed the cable to the LED driver accordingly. Ensure the PIR sensor is not obstructed to ensure the full functionality of the sensor, *see Fig 6*.
3. Reconnect to the LED driver ensuring the connector clicks in place.
4. Using a screwdriver, install the PIR sensor holder using the x2 screws provided in the plastic bag, *see Fig. 4A & 5A*. Clip the PIR sensor into the holder to complete installation, *see Fig. 4A & 5A*.



★ Example PIR sensor location

Fig.6 - PIR sensor activation zone

Operation

The plug & play feature on the LED driver allows multiple LED strips and an optional PIR sensor to be connected. Operation is determined by how the lighting component is installed.

With PIR sensor

The light will switch on when a person enters the activation zone.

Please allow for a 2 second delay in illumination.

The lights will automatically turn off after 5 minutes with no activity in the activation zone.

Without PIR sensor

The LED light will turn on when power is applied to the LED driver via the main switch for the lighting circuit of which it is connected.

Care

To preserve the high quality finish of your HiB product, please ensure you regard the following care and cleaning recommendations:

- Use only a soft damp cloth.
- Wipe off all water spillages as soon as possible.
- **Do not use** any abrasives or solvents.

Aftercare

In the unlikely event that this product should fail please contact the retailer from which the item was purchased.



WEEE compliance

Must not be mixed with
general household waste

T: +44 (0)20 8441 0352 F: +44 (0)20 8441 0219 E: sales@hib.co.uk hib.co.uk

Building 3, North London Business Park, Oakleigh Road South, New Southgate, London. N11 1GN

©HiB Copyright: No part of this document may be reprinted or duplicated without HiB consent. All sizes and measurements are approximate, but we do try and make sure they are as accurate as possible. In the interest of continuous product development, HiB reserves the right to alter specifications as necessary. E & OE.