



#### Applications

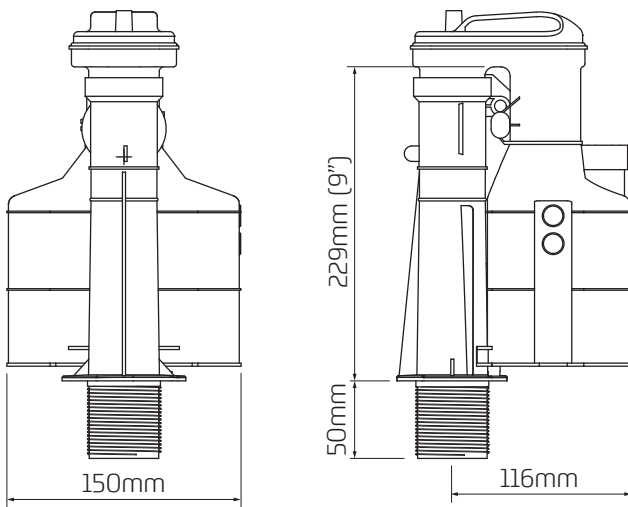
Ideal for use in traditional well-bottomed cisterns. Suitable for low and high level use.

#### Features

- ~ 7/9 litre convertible flush volume
- ~ 2-part design enables quick servicing in under 5 minutes
- ~ Retrofit to an existing Turbo downleg
- ~ WRAS approved.



#### Dimensional Data



#### Scope of Supply

Height mm	Outlet
229 (9")	Plastic
229 (9")	Brass

#### Technical Data

Outlet	1½" BSP (48mm)
Flush Volume	7/9 Litre Convertible Monoflush
Sizes	229mm (9")
Cistern Type	Low Level, High Level
Product Code	317449