



Applications

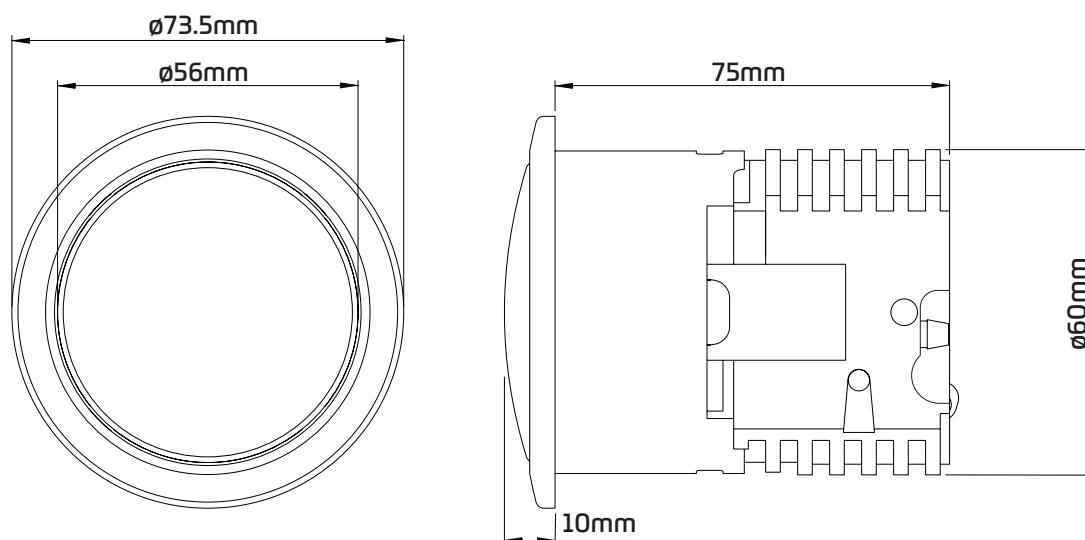
Designed for use with Dudley Vantage and Miniflo concealed cisterns and Illision A and V frames.

Features

- ~ 73.5mm Diameter Pushbutton
- ~ Chrome plated finish
- ~ Smooth pneumatic operation
- ~ Can be positioned up to 250mm from from the cistern.



Dimensional Data



Technical Data

Wall Thickness	12-32mm
Installation Aperture	$\varnothing 62-65\text{mm}$ hole
Fixing Type	Locking Collet (Supplied)
Button Operation	Pneumatic
Flush Option	Single Flush
Product Code	327736 [Boxed] 313085 [Bagged]