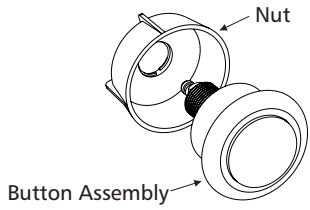
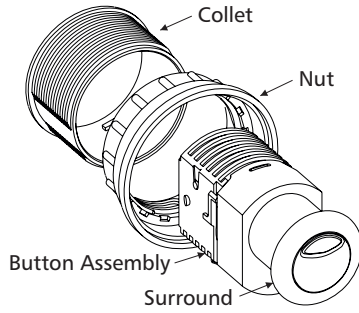


Push Buttons Installation Instructions

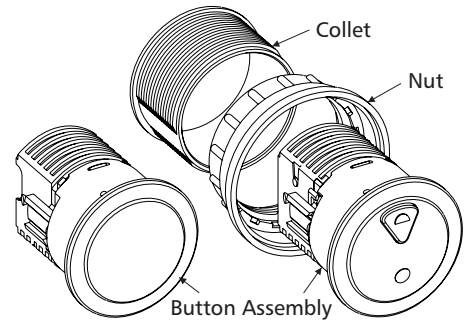
ROYAL & ROYAL PALM PUSH



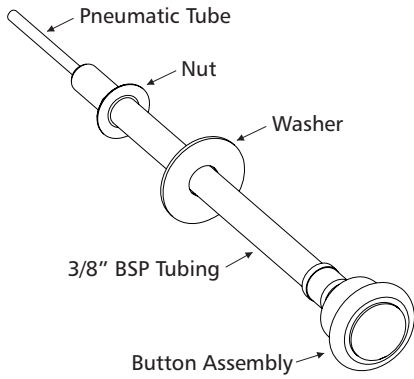
DIO DUAL FLUSH



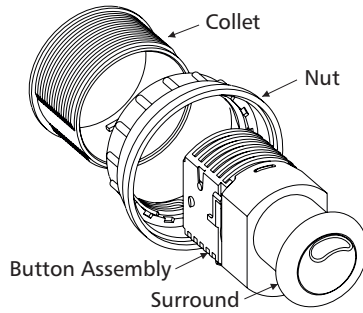
73.5mm CP ROUND SINGLE & DUAL FLUSH



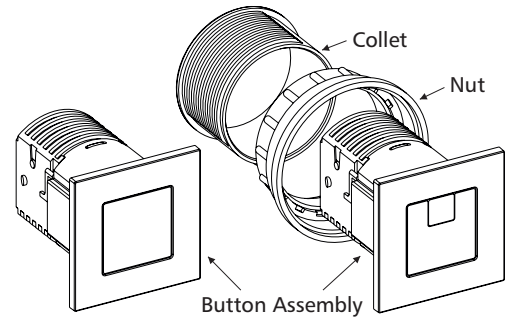
EXTENDED ROYAL



MINIFLO DUAL FLUSH

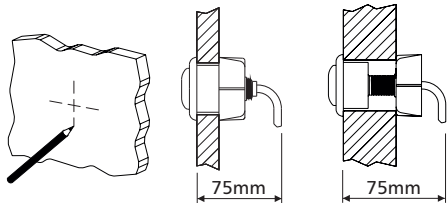


73.5mm PIAZZA SINGLE & DUAL FLUSH

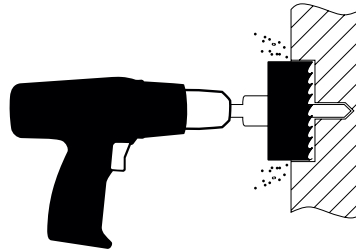


1a ROYAL & ROYAL PALM PUSH

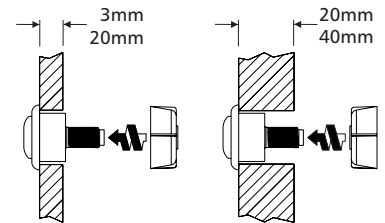
Step 1 Mark button position ensuring no interference with cistern or support frame.
Note: 55mm min centres for dual buttons.



Step 2 Cut Ø40mm hole.

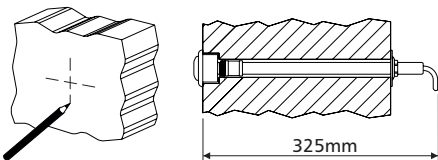


Step 3 Insert button assembly into wall and secure using the nut in the required orientation.

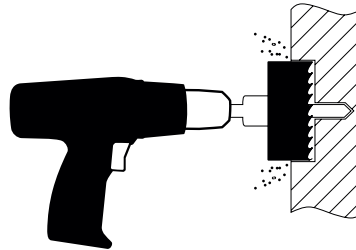


1b EXTENDED ROYAL

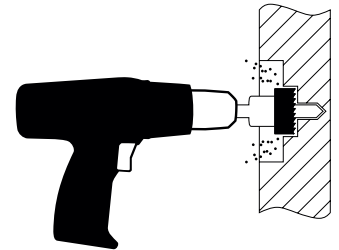
Step 1 Mark button positions ensuring no interference with cistern or support frame.
Note: 55mm min centres for dual buttons.



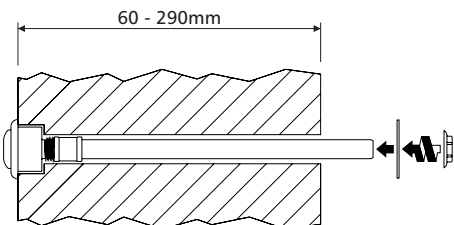
Step 2 Cut Ø40x25mm counterbore.



Step 3 Cut Ø25mm hole.

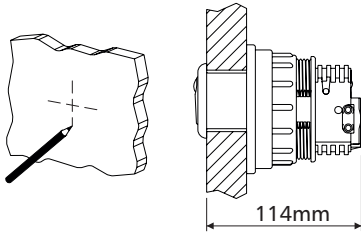


Step 4 Insert button assembly into wall and secure using the washer and nut.

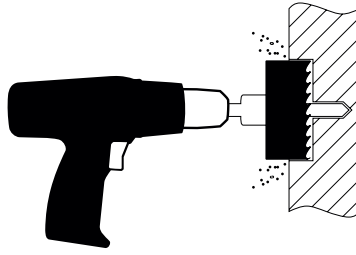


1c DIO & MINIFLO

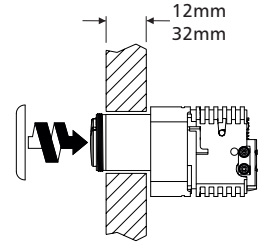
Step 1 Mark button positions ensuring no interference with cistern or support frame.



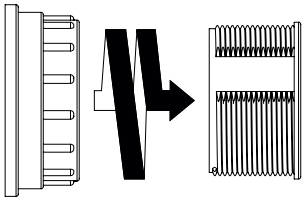
Step 2 Cut Ø40mm hole.



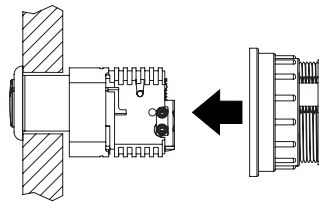
Step 3 Insert button assembly into wall and fit surround.



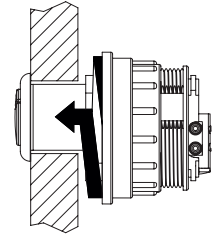
Step 4 Screw collet into nut.



Step 5 Using the tabs inside the collet, locate the collet and nut assembly onto the slots on the button assembly.

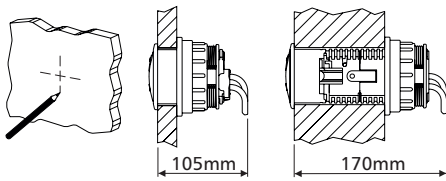


Step 6 Tighten the locking nut until the button is clamped in position.



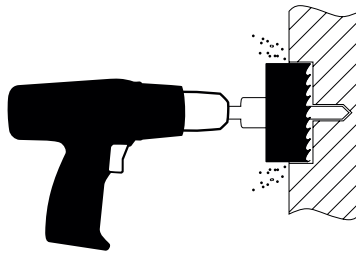
1d 73.5mm CP ROUND & PIAZZA

Step 1 Mark button positions ensuring no interference with cistern or support frame.

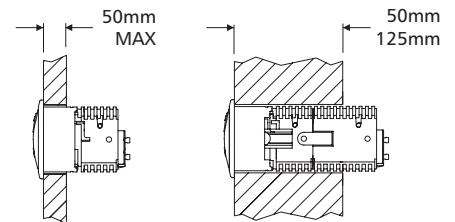


Button extensions available for installations over 105mm (not supplied as standard).

Step 2 Cut Ø62mm hole.



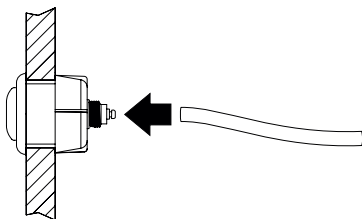
Step 3 Insert button assembly into wall and carry out **Section 1c Steps 4, 5 & 6**.



2 PNEUMATIC CONNECTION

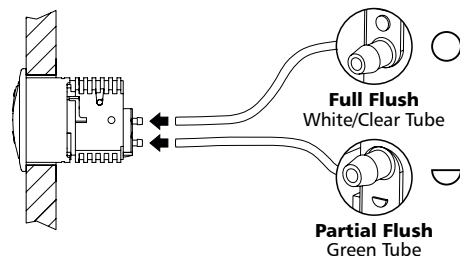
Single Flush

Connect the pneumatic air tube to the nozzle on the rear of the button assembly. Avoid kinks and cut to length if required.
Note: Extended Royal buttons include a factory fitting pneumatic tube.



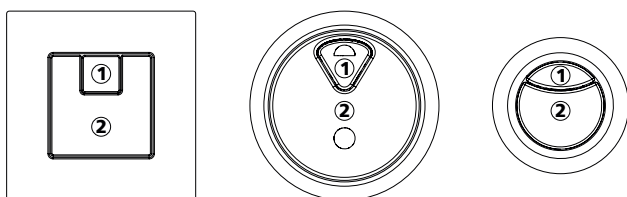
Dual Flush

Connect the pneumatic air tubes to the nozzles on the rear of the button following the diagram below. Avoid kinks and cut to length if required.



3 DUAL FLUSH OPERATION

During partial flush operation the full flush button will also travel.
Note: The buttons may return slowly prior to operation, this is normal.



① Partial Flush ② Full Flush

4 CLEANING AND MAINTENANCE INSTRUCTIONS

Do not use any cleaning agents on this product. Use a non abrasive cloth and warm water.

