

Dudley



NIAGARA

MECHANICAL WC FLUSH VALVE

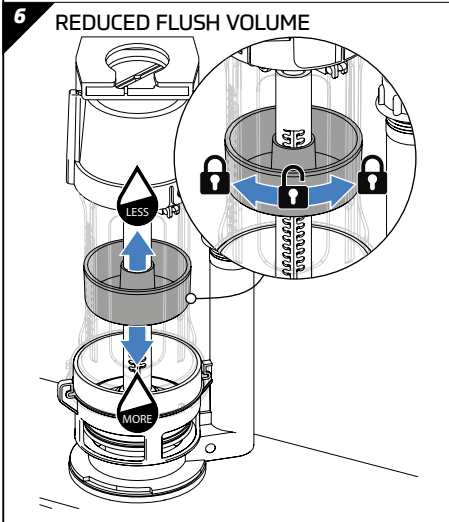
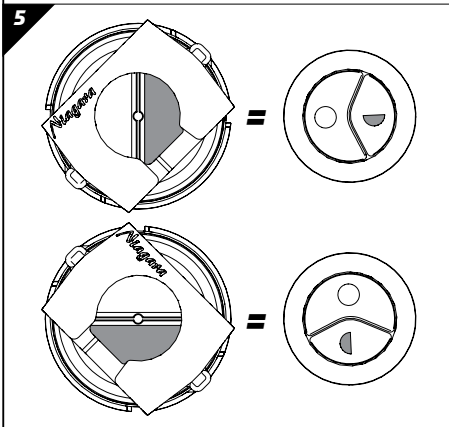
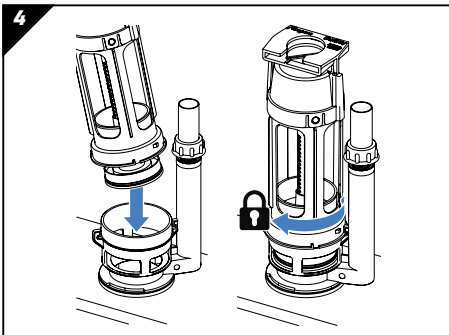
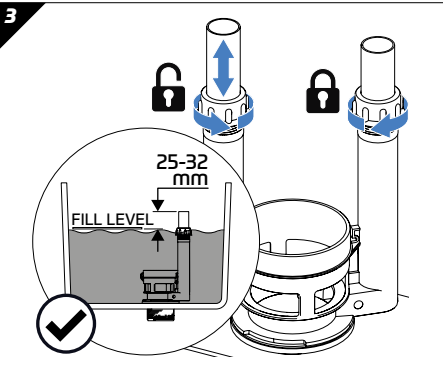
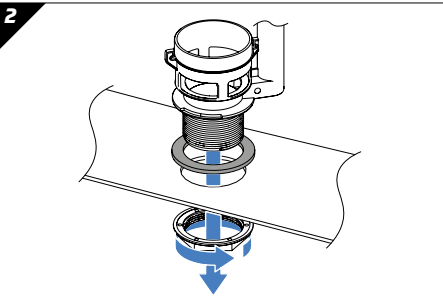
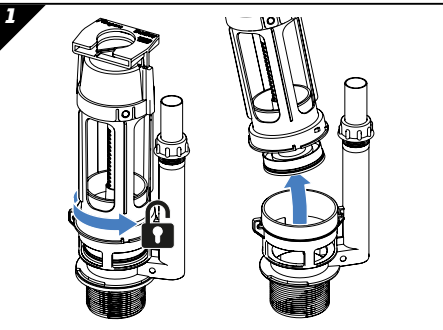
IMPORTANT NOTES

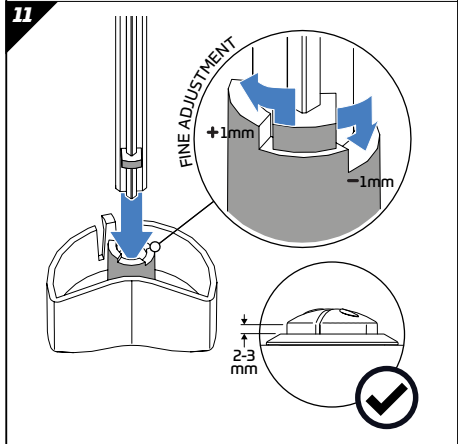
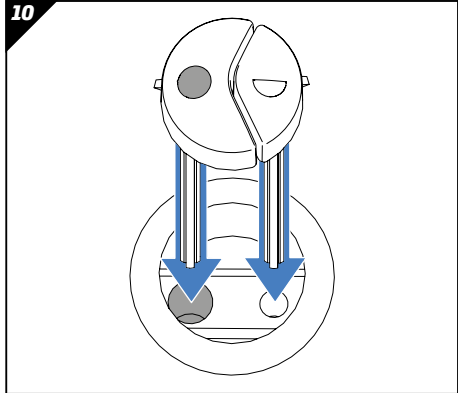
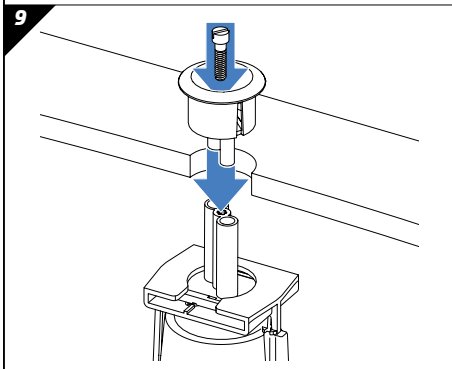
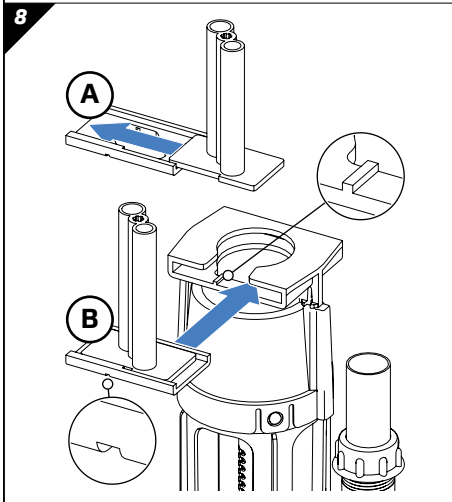
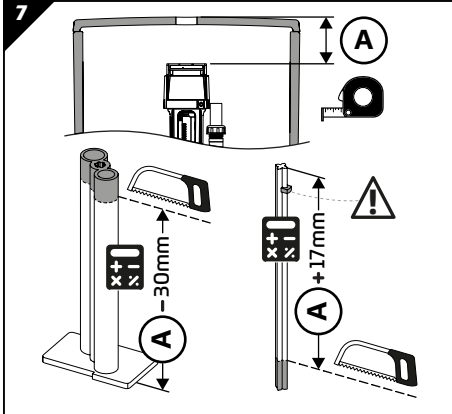
Before installation flush supply pipes and ensure cistern is clean and free from debris.

No sealing compound, paste, flux or solvent to be used in contact with plastic or rubber surfaces to avoid damage. Rubber washers will provide adequate seal. PTFE tape may be used on threads. No chemical block/additive to be used in this cistern.

Do not over-tighten plastic fasteners. Hand tight + ¼ turn is recommended and should provide an adequate seal.

Installation height - Min. 330mm, Max. 408mm.





- 12**
- ### Final Installation Checklist
- ~ Check moving components are not obstructed and move freely.
 - ~ Check connections are secure and fixed correctly.
 - ~ Connect and turn on water supply.
 - ~ Check installation for leaks.
 - ~ Check water level aligns to that marked on cistern.
 - ~ Test full and reduced flush operation.
 - ~ Hold the inlet valve open (float down) to check overflow operation is sufficient.
 - ~ Installer to ensure cistern complies with UK water regulations.
 - ~ Visit www.tyde.co.uk for service & maintenance information.

TYDE

295 Birmingham New Road
Dudley, West Midlands
United Kingdom
DY1 4SJ

A Thomas Dudley Business

t +44 (0)121 557 5411
f +44 (0)121 557 5345
e info@tyde.co.uk
w www.thomasdudley.co.uk/tyde

